



Datasheet

RS PRO Modular Enclosure for DIN rail

Stock number: 2069061

EN

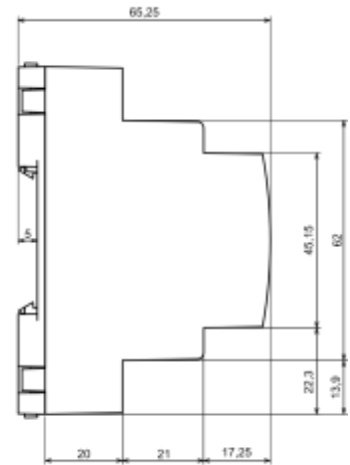
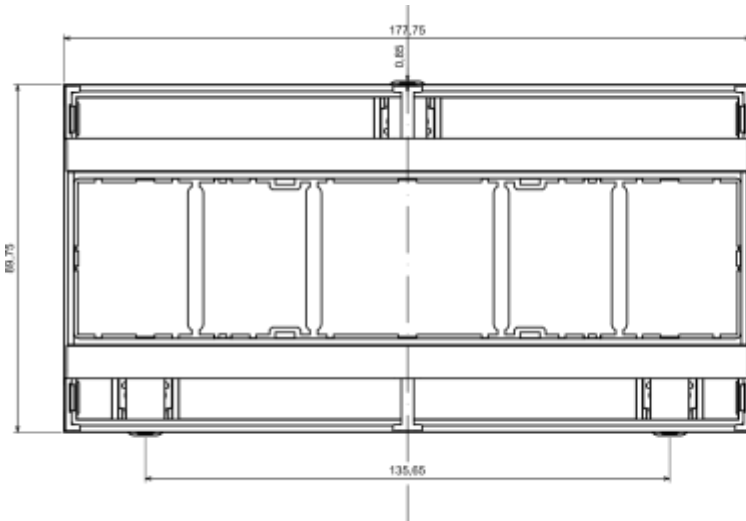


Product Details

Made of self extinguishing ABS V0, customizable enclosure by three different slot masks and filters, ribs inside give a flexible solution for PCB installation. Mounted on TS35 rail by three latches thanks to which there are no technological holes between the PCB plate and the rail. The casing is assembled without screw.

Features and Benefits

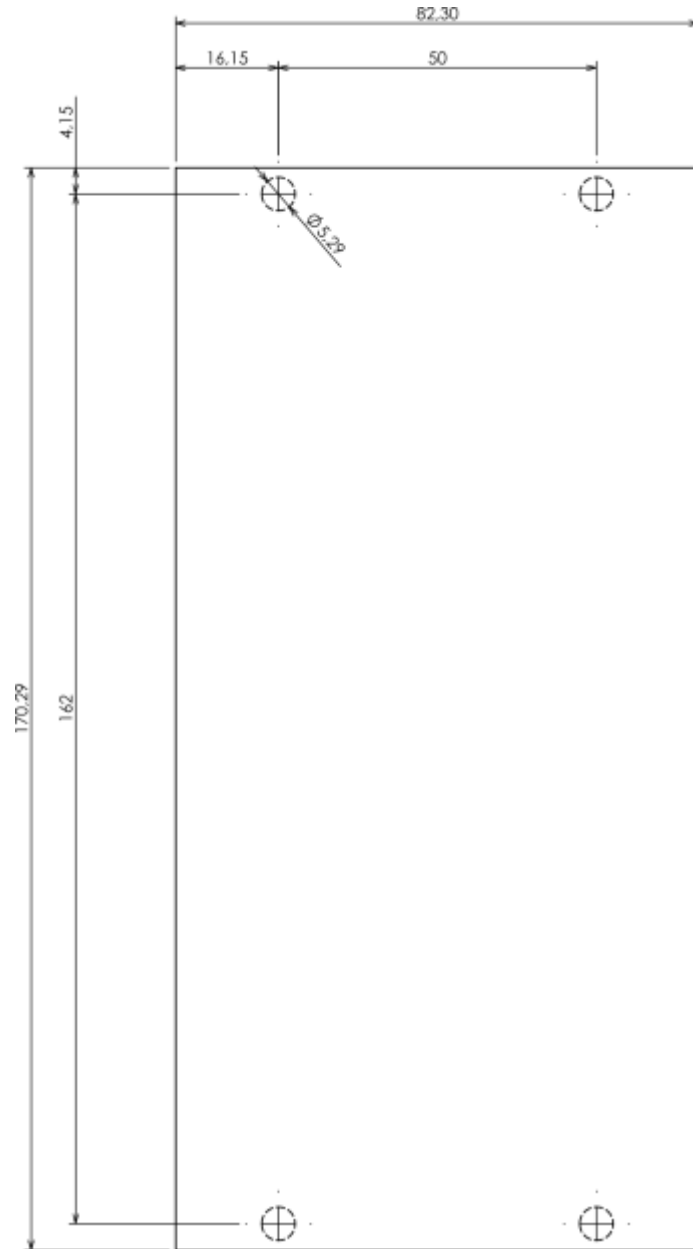
- Made of self extinguishing ABS
- Available in light gray color
- Supplied with three latches
- Different slot masks and filters
- Assembled without screws



Category	Modular Enclosures for DIN rail
Type	Full
Material	ABS V0
Variant	Without gasket
Height	65.3 mm
Width	89.8 mm
Length	177.8 mm
Color	Lightgray (J)
Standards Met	RoHS Compliant
Accessories	Black hook: 3.0 pcs
Optional accessories	Slot mask - full ZD5TC: 4.0 pcs Slot mask for sockets ZD5TCS: 4.0 pcs Slot mask - universal ZD5TCU: 4.0 pcs Slot mask for end plugs ZD5TC 5,08: 4.0 pcs Filter ZDFJ1010 ABS V0 (Lightgray): 1.0 pcs Filter ZDFcz1010 ABS (Red): 1.0 pcs Filter ZDFp1010 ABS (Transparent): 1.0 pcs
Certificate number	



Max PCB size



Dashed line shows outline of the mounting boss under PCB board
Recommended mounting holes diameter $\varnothing 3.5$ mm