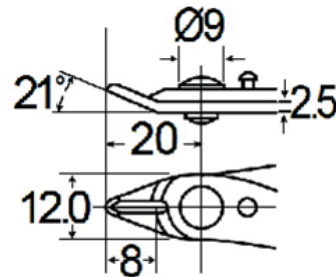


RoHS
Compliant

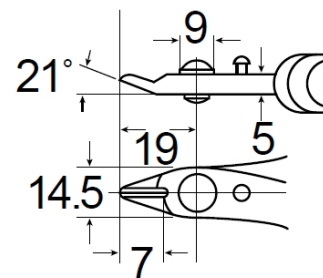
Micro Cutting Electronics Cutter - Conductive Handle



Description

The Multicomp PRO MP700389 features precise and durable cutting action. The thin profile static conductive handle and lightweight design is perfect for cutting soldering leads and sensitive electronics work.

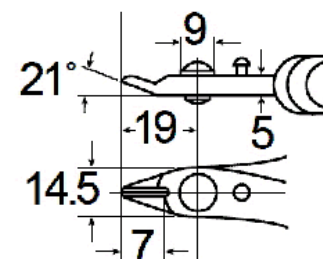
Heavy Duty Micro Cutting Plier - Dissipative Handle



Description

The Multicomp PRO MP700390 cuts round and flat cable, coax, nickel, Kovar and other heavier solder wire. Longer static dissipative handle design significantly reduces operator fatigue and increases leverage around sensitive electronics.

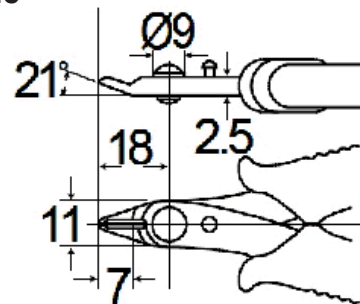
Heavy Duty Micro Cutting Plier with Safety Clip & Dissipative Handle



Description

The Multicomp PRO MP700391 features precise and durable cutting action. The thin profile static dissipative handle and lightweight design is perfect for cutting soldering leads and sensitive electronics work. Integrated lead catcher, holds onto a trimmed lead until the shear is opened. This prevents leads from flying off, which can lead to eye injury or contamination of the assembly.

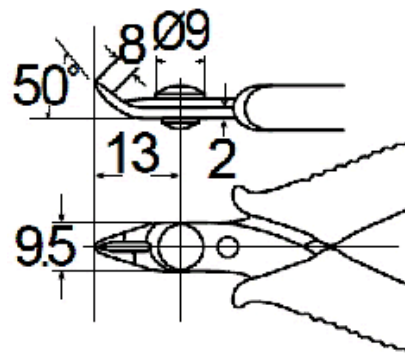
Micro Cutting Plier - Dissipative Handle



Description

The Multicomp PRO MP700392 features precise and durable cutting action in confined or hard to reach areas. The thin profile static dissipative handle and lightweight design is perfect for cutting soldering leads and sensitive electronics work.

Clean Cut Micro Nipper with Dissipative Handle



Description

The Multicomp PRO MP700398 is ideal for working on electronics or electrical work with a 50 degree angled nose with flush micro cut blade allow. The thin profile static dissipative handle and lightweight design is perfect for cutting soldering leads and sensitive electronics work.

4 Pcs Micro Pliers Set



This Set Consists of below 4 Pliers

- | | |
|----------|--|
| MP700389 | Micro Cutting Electronics Cutter - Conductive Handle |
| MP700390 | Heavy Duty Micro Cutting Plier - Dissipative Handle |
| MP700391 | Heavy Duty Micro Cutting Plier with Safety Clip & Dissipative Handle |
| MP700392 | Micro Cutting Plier - Dissipative Handle |

Specifications						
Part Number	MP700389	MP700390	MP700391	MP700392	MP700398	
Material	SK7	S50C	S50C	SK7	SK7	
HRC	Body	50° ±3°				
	Cutting edge	50° ±3°				
Application	Copper	Ø 1.3mm	Ø 2mm		Ø 1.3mm	Ø 0.6mm
Overall Length (mm)	5.1" (130mm)	4.9" (125mm)	4.88" (124mm)	5" (130mm)	4.72" (120mm)	
Weight (g)	2.1oz (60 g)	3.15oz (89.2 g)	3.17oz (90g)	2.3oz (65g)	1.94 oz (55g)	
Dimensions L x W x H	5.1" x 3.2" x 0.61" (131mm x 81mm x 15.5mm)	4.9" x 4.14" x 0.62" (125mm x 105.4mm x 15.8mm)	4.88" x 3.3" x 0.62" (124mm x 83.8mm x 15.8mm)	5" x 3.06" x 0.61" (130mm x 77.8mm x 15.5mm)	4.72" x 2" x 0.62" (120mm x 50mm x 15.58mm)	

Part Number Table

Description	Part Number
Micro Cutting Plier with Conductive Handle, 130mm Length	MP700389
Heavy Duty Micro Cutting Plier with Dissipative Handle, 125mm Length	MP700390
Heavy Duty Micro Cutting Plier with Safety Clip & Dissipative Handle, 124mm Length	MP700391
Micro Cutting Plier with Conductive Handle, 130mm Length	MP700392
Clean Cut Micro Nipper with Dissipative Handle, 120mm Length	MP700398
4 Pcs Micro Pliers Set - (MP700389, MP700390, MP700391 and MP700392)	MP700393

Important Notice : This data sheet and its contents (the "Information") belong to the members of the AVNET group of companies (the "Group") or are licensed to it. No licence is granted for the use of it other than for information purposes in connection with the products to which it relates. No licence of any intellectual property rights is granted. The Information is subject to change without notice and replaces all data sheets previously supplied. The Information supplied is believed to be accurate but the Group assumes no responsibility for its accuracy or completeness, any error in or omission from it or for any use made of it. Users of this data sheet should check for themselves the Information and the suitability of the products for their purpose and not make any assumptions based on information included or omitted. Liability for loss or damage resulting from any reliance on the Information or use of it (including liability resulting from negligence or where the Group was aware of the possibility of such loss or damage arising) is excluded. This will not operate to limit or restrict the Group's liability for death or personal injury resulting from its negligence. Multicomp Pro is the registered trademark of Premier Farnell Limited 2019.