



EN

Datasheet

RS PRO NYLON-INSULATED CORD END TERMINALS

Stock number: 250-3466

MAXIMUM ELECTRIC CURRENT:

A.W.G.	12
AMP.	35

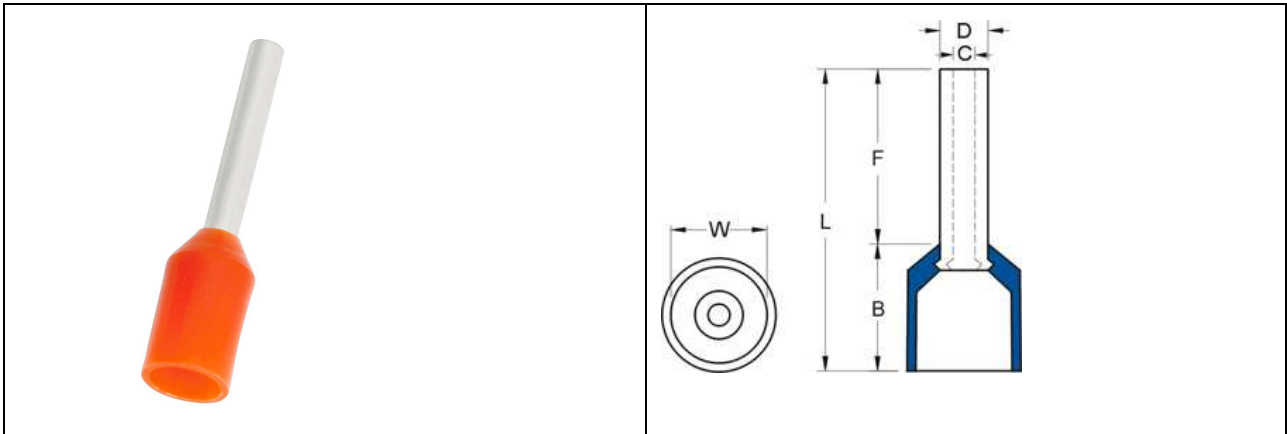
MAXIMUM ELECTRICAL RATING: 105° C 600 VOLTS MAX.

INSULATION MATERIAL: NYLON

TERMINAL MATERIAL: COPPER TUBE

SURFACE TREATMENT: TIN PLATE

INSULATION COLOR: ORANGE



WIRE RANGE A.W.G. mm ²	ITEM NO.	DIMENSION inch(mm)					
		F	L	W	B	D	C
12 A.W.G.	250-3466	0.709	1.024	0.189	0.291	0.126	0.11
4 mm ²		18	26	4.8	7.4	3.200	2.8

