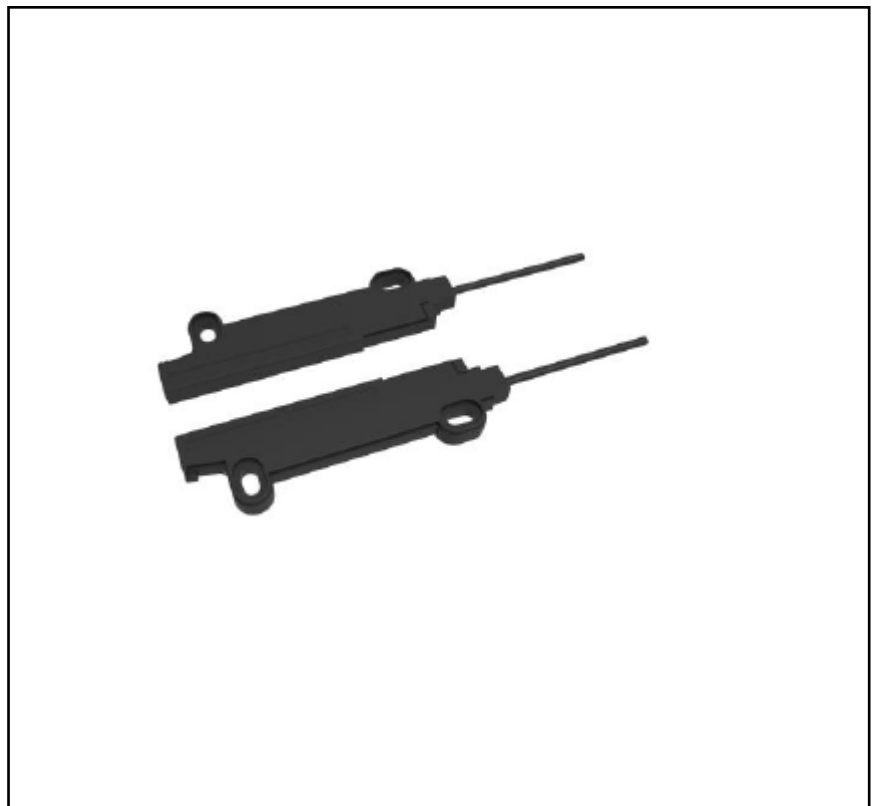


## Features

- Standard thread shape for easy installation
- Fiber optic head made of stainless steel, high durability
- Suitable for installation in small spaces with high detection accuracy

## RS PRO Optical Fiber

RS Stock No.: 252-2103



RS Professionally Approved Products bring to you professional quality parts across all product categories. Our product range has been tested by engineers and provides a comparable quality to the leading brands without paying a premium price.

## General Specifications

Detection method	Through beam
Minimum bend radius	R2
Detection distance(mm)	1400...2000mm
Temperature resistance	- 40...70°C

## Additional Information

Custom Tariff Number/HS code	903180
------------------------------	--------

## Approvals

Compliance/Certifications	CE
---------------------------	----

## Dimension and Wiring

Connection Diagrams / Assembly Diagrams / Illustrations / Accessories

