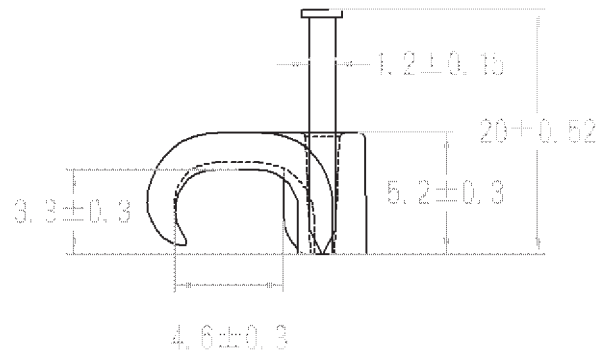
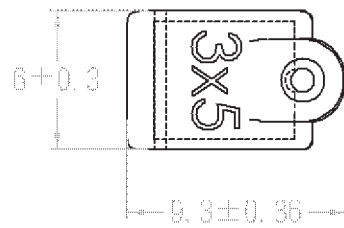


# NF-0305NA



|               |                        |                  |  |
|---------------|------------------------|------------------|--|
| 中文名<br>白扁線固定夾 |                        | MATERIAL<br>P.E. | TEMP.<br>NF-0305NA                           |
| SCALE         |                        | FINISH           | NAME<br>CABIL CLIP                           |
| △ (***)       | TOLERANCE<br>AS FIGURE |                  | △ (***)<br>04-12-2008<br>DATE REVISIONS K001 |
|               |                        |                  | R.A.O.                                       |