

RS PRO Photoelectric Sensor

RS Stock No.: 2025456

FEATURES

- Retro reflection working principle;
- Excellent anti-interference performance;
- High detection accuracy;
- With special on-delay and off-delay function.



RS Professionally Approved Products bring to you professional quality parts across all product categories. Our product range has been tested by engineers and provides a comparable quality to the leading brands without paying a premium price.

Part Number Description

Part number	Sensing distance	Light source	Output	Connection
2025456	5m (non-adjustable)	Infrared LED (880nm)	Relay	Terminal

General Specifications

Detection Type	Retro reflection
Standard target	TD-09 reflector
Detection target	Opaque object
Response Time	≤30ms
Hysteresis [%/Sr]
Indicator	Power: Green LED; Output: Yellow LED
Repeat accuracy [R]	≤5%
Ambient Temperature	-15°C...55 °C
Ambient humidity	35...85%RH (Non-condensing)

Electrical Specifications

Operating Supply Voltage	24...240VAC/12...240 VDC
Current Consumption	≤35mA
Residual voltage
Load Current	≤3A
Voltage withstand	2000V/AC 50/60Hz 60s
Insulation resistance	≥50MΩ(500VDC)
Vibration resistance	10...50Hz (0.5mm)
Circuit Protection	No

Mechanical Specifications

Body Style	Block
Mounting Type	Screw
Housing Material	PC/ABS
Dimensions	88*65*25mm
Gross Weight	250g

Protection Category

IP Rating	IP67
-----------	------

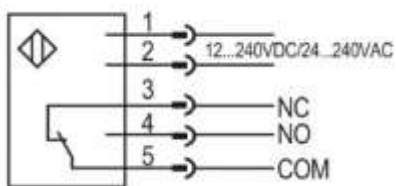
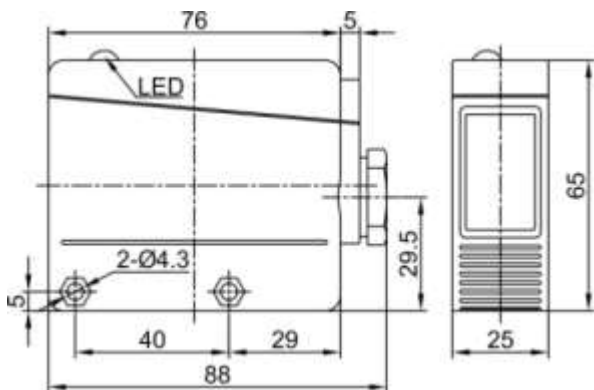
Additional Information

Custom Tariff Number/HS code	903180
------------------------------	--------

Approvals

Compliance/Certifications	CE
---------------------------	----

Dimension and Wiring



Relay output