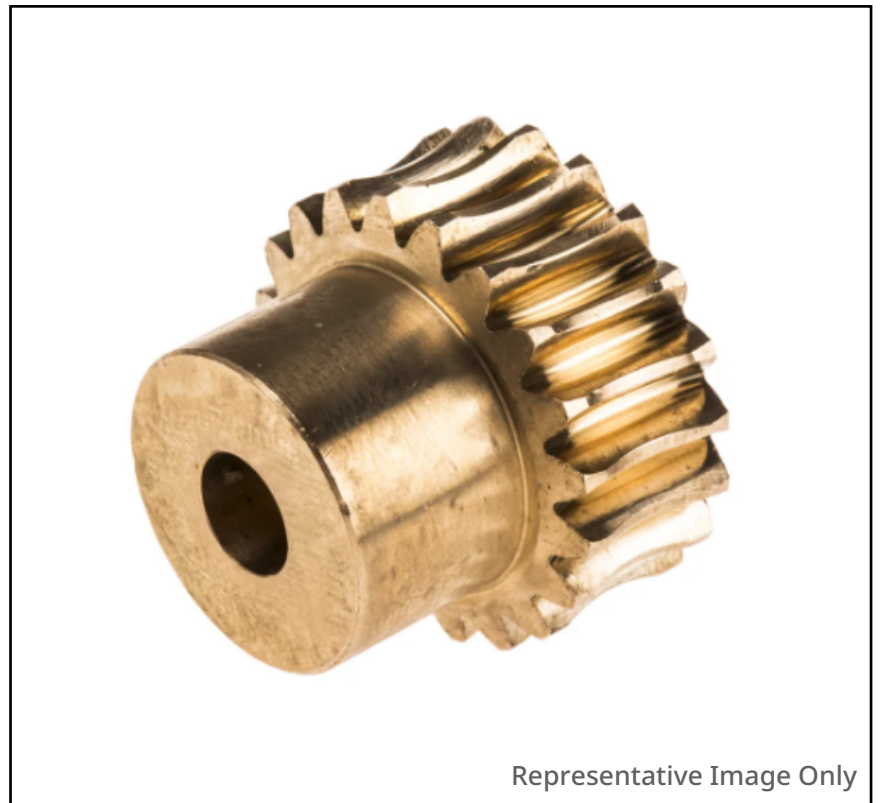


## Features

- 0.8 Mod - 1 Mod
- In PB1/PB2 or equivalent
- 20 degree p.a.
- Bore tolerance H7
- Single (1R) & Double (2R) Start
- Right Hand

## RS PRO Metric Bronze Worm wheels

RS Stock No.: see below table



RS PRO Professionally Approved Products bring to you professional quality parts across all product categories. Our product range has been tested by engineers and provides a comparable quality to the leading brands without paying a premium price.

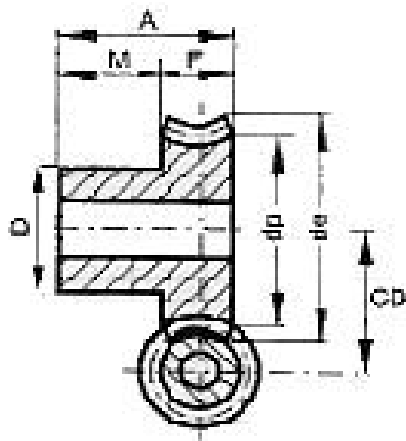
## Product Description

The RS PRO metric steel spur gear:

- Standard to DIN 867, DIN 3962, DIN 3963, Grade 9 or equivalent
- Standard tolerances, unless otherwise stated 0.25mm
- Steel EN8 (080M40/080M46)

## Products Range

RS Article no.	Pitch Module	No. of Teeth	dp	de	Boss $\varnothing$ D	M	Bore	F	A	Centre Distance
5216834	0.8	20	16.03	17.6	12	9	5	9	18	15
5216828		20	16.11	17.6	12	9	5	9	18	15
5216856		30	24.04	25.6	18	9	5	9	18	19
5216840		30	24.16	25.6	18	9	5	9	18	19
5216878		40	32.05	33.6	20	9	6	9	18	23
5216884		50	40.06	41.6	25	9	8	9	18	27
5216935	1	20	20.05	23	16	10	6	10	20	18
5216913		20	20.16	23	16	10	6	10	20	18
5216957		30	30.07	33	20	10	6	10	20	23
5216941		30	30.24	33	20	10	6	10	20	23
5216963		40	40.09	43	26	10	8	10	20	28
5216979		50	50.12	53	30	10	8	10	20	33



All Dimensions in mm

Standard tolerances, unless otherwise stated + - 0.25mm