



EN

Datasheet

RS PRO NYLON-INSULATED CORD END

TERMINALS

Stock number: 178-7293

MAXIMUM ELECTRIC CURRENT:

A.W.G.	20
AMP.	12

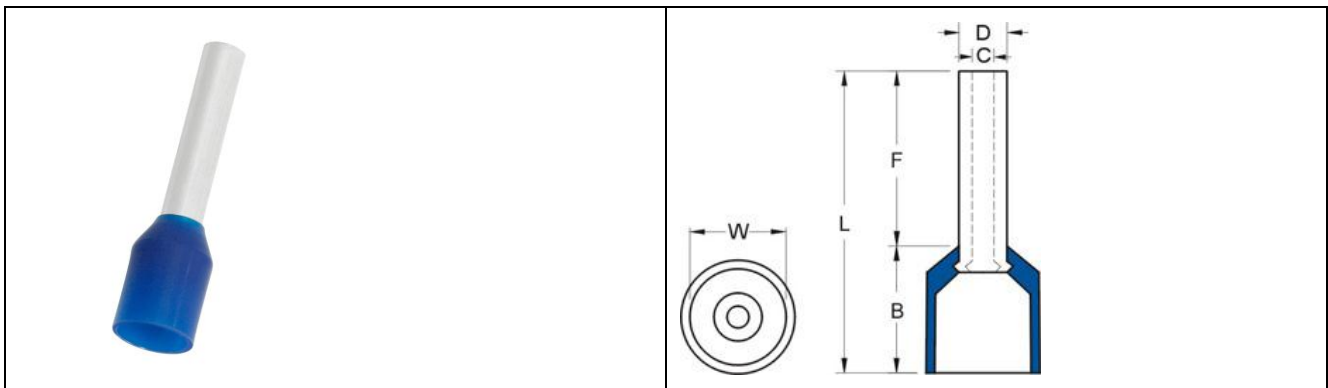
MAXIMUM ELECTRICAL RATING: 105° C 600 VOLTS MAX.

INSULATION MATERIAL: NYLON

TERMINAL MATERIAL: COPPER TUBE

SURFACE TREATMENT: TIN PLATE

INSULATION COLOR: BLUE



WIRE RANGE A.W.G. mm ²	ITEM NO.	DIMENSION inch(mm)					
		F	L	W	B	D	C
20 A.W.G. 0.75 mm ²	<input type="checkbox"/> 178-7293	0.315 8	0.551 14	0.11 2.8	0.248 6.3	0.059 1.500	0.047 1.2