

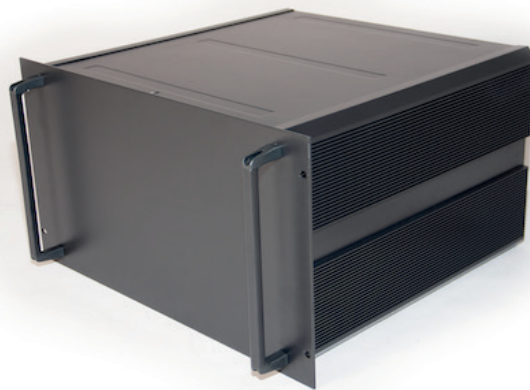


Datasheet

RS PRO Heatsink Rack Mount enclosure

Stock number: 188-1325

EN



The HS-19 Series of rack mounted 19" heatsink enclosures is a versatile and user friendly 19" enclosure series. Designed for both professional users and home hobbyists alike, HS-19 features extruded aluminum heatsink side panels. The high grade aluminum body features removable top and bottom panels providing easy access to work inside.

Features

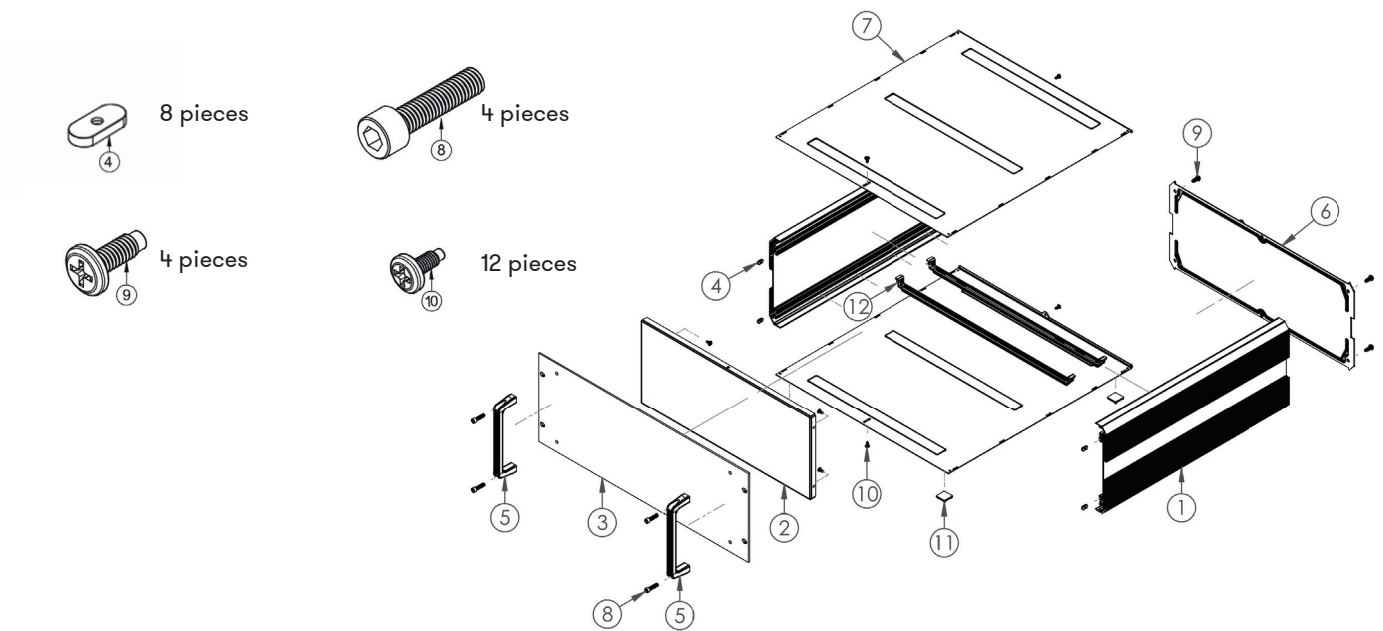
- Extruded heatsink side panels provide excellent cooling
- Inside face of side panels have slot for easy general purpose bar installation
- All aluminum construction
- Inner front panel for component mounting allows outer front panel to remain "clean" appearance
- "Open Frame" design maximizes user convenience for component assembly
- Heavy duty handles
- Optional mounting plates for PCB and heavy components such as transformers
- 19" rack mounted or free standing
- Flat pack for efficient storage and shipping

Standards and Materials

- Heights from 1U to 6U
- Depths of 245mm, 335mm and 425mm
- Conforms to IEC-60297-3.
- Premium grade aluminum sheet: AL 5052 and extrusion: AA 6063 (Aluminum Alloy).
- Designed and manufactured under ISO 9001:2015 and ISO 14001:2015
- All materials RoHS compliant.

HS-19 Assembly Manual (for 3U, 4U, 5U and 6U)

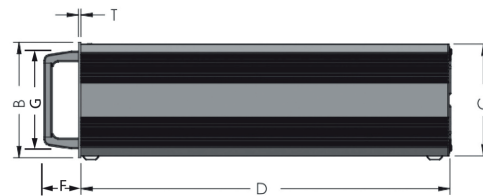
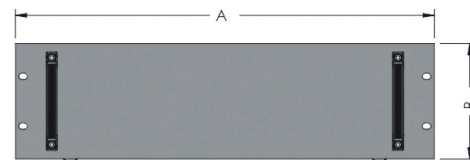
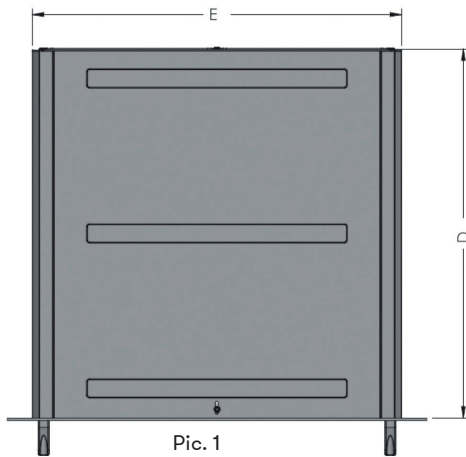
Item	Description	Quantity			
1.	Heatsink AL Extrusion Side Frame	2			
2.	Inside Front Panel AL 1.0 mm.	1			
3.	AL Front Panel AL 3.0 mm.	1			
4.	Nut OB 5.3x12.0 (M3)	8			
5.	AL Handle	2			
6.	Rear Panel AL 1.5 mm.	1			
7.	Top/Bottom Cover AL 1.0 mm.	2			
8.	Hex Socket Screw M5x20 BLK	4			
9.	Umbrella Phillips Screw M5x10 [Dog Point]	4			
10.	Umbrella Phillips Screw M3x6 [Dog Point]	12			
11.	Rubber Foot	4	12.	GP-L Bar Kit [for HS-19" 3U-6U]	2
12.	GP-L Bar Kit [for HS-19" 3U-6U]	2			



Models and Dimensions

Model	Front Panel (Pic.2&3) (AxB)	Handle (Pic.3) (GxF)	Cabinet (Pic.3) (ExDxC)
3U-D2	482.6x132.6x3	113x40	425x335x128.6
3U-D3	482.6x132.6x3	113x40	425x425x128.6
4U-D2	482.6x177.6x3	151x40	425x335x173.0
4U-D3	482.6x177.6x3	151x40	425x425x173.0
5U-D2	482.6x221.5x3	192x40	425x335x217.3
5U-D3	482.6x221.5x3	192x40	425x425x217.3
6U-D2	482.6x266.0x3	236.5x40	425x335x262.0
6U-D3	482.6x266.0x3	236.5x40	425x425x262.0
6U-D4	482.6x266.0x3	236.5x40	425x465x262.0

(Unit: mm.)

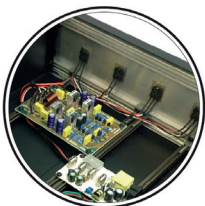
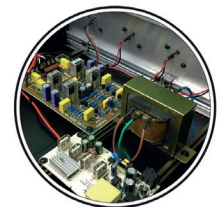


Applications



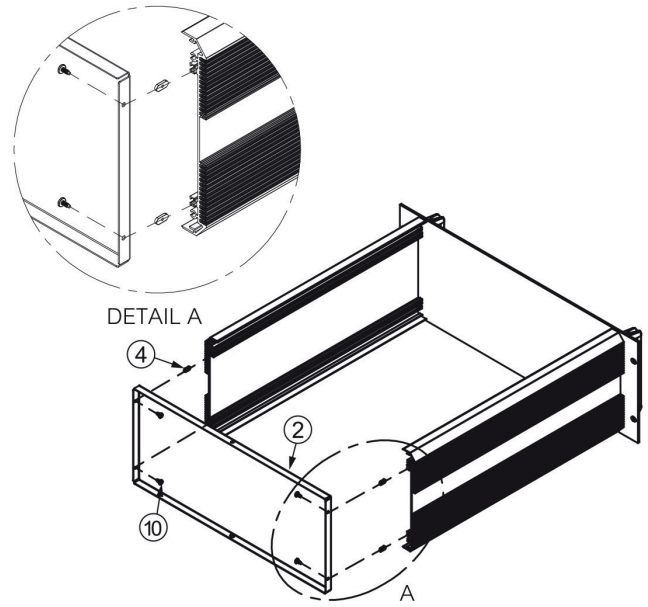
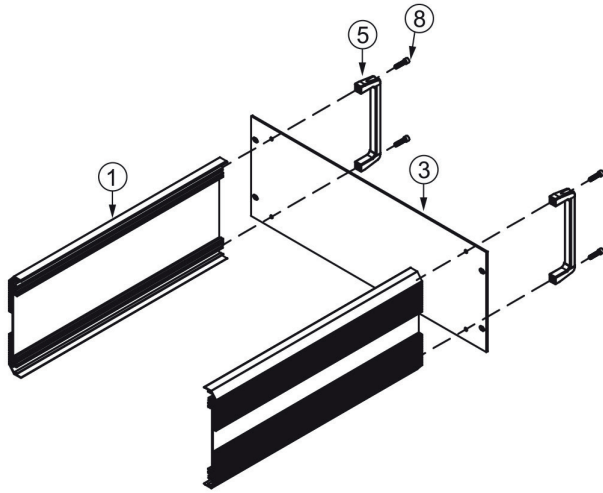
Mounting Electronic Component on Heatsink

Mounting PSU for component on the GP Bar



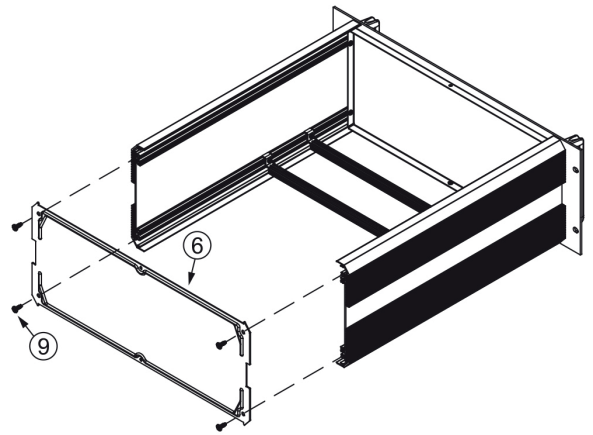
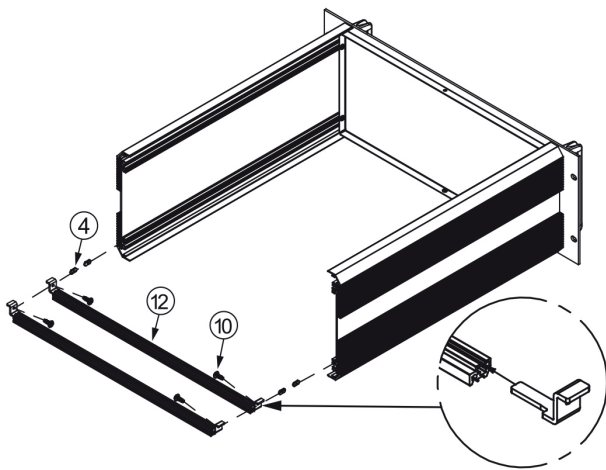
Mounting PCB on the GP bar and Mounting Electronic Component on Heatsink

Assembly Guide



1. Install ⑤ AL handle and ③ AL front panel to ① side frame with ⑧ Hex socket screw M5x20 [4].

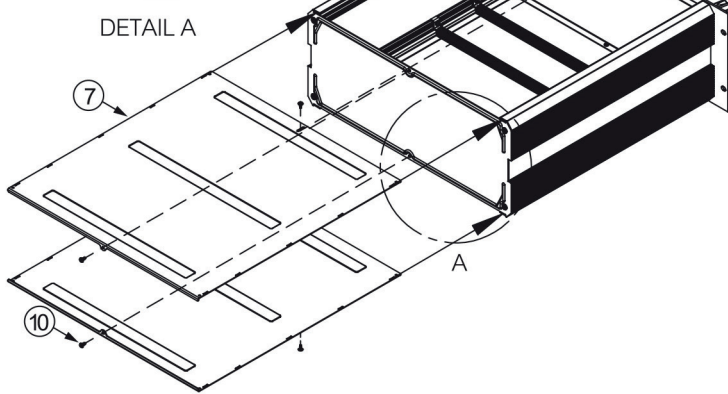
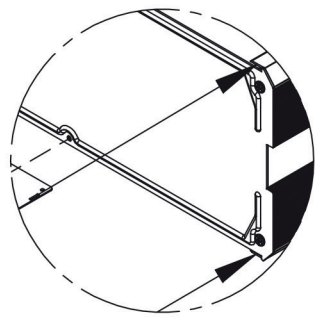
2. Insert ④ Nut OB M3 [4] into the rail slot on side frame then install ② inside front panel by ⑩ Umbrella Phillips screw M3x6 (Dog Point) [4].



3. Insert ④ Nut OB M3 [4] into the rail slot on side frame at the bottom. Install ⑫ GP Bar [2] with ⑩ Umbrella Phillips screw M3x6 (Dog Point) [4] from GP Bar Kit.

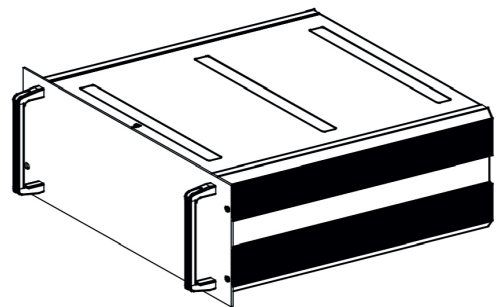
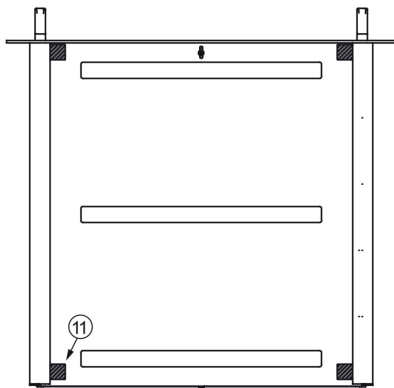
4. Install ⑥ rear panel cover and tie with ⑨ Umbrella Phillips screw M3x6 (Dog Point) [4]. [Convex shape is outside, see detail A in item 5].

Note: Location of GP Bar per user requirement.
Additional GP Bar can be purchased separately.



5. Slide ⑦ Top/Bottom cover and into slot on side frame and fasten with ⑩ Umbrella Phillips screw M3x6 (Dog Point) [4]

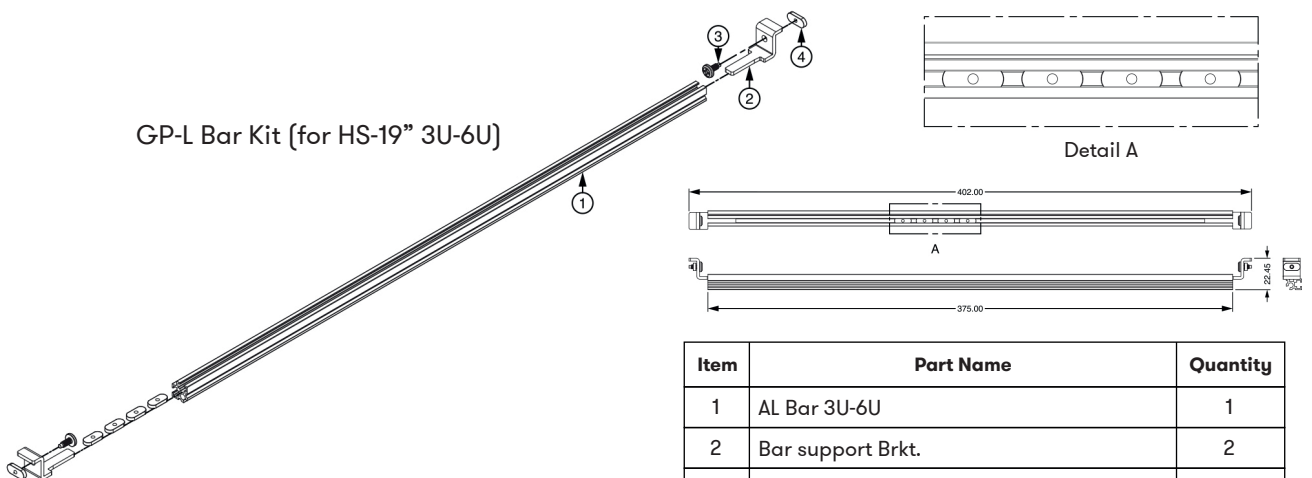
* GP-S Bar is also an optional component you can order extra.



6. Place the ⑪ rubber foot at the bottom of box.

* Clean surface before placing rubber foot. Isopropyl Alcohol 70% is recommended.

7. Completed assembly



GP-L Bar Kit (for HS-19" 3U-6U)

Detail A

Item	Part Name	Quantity
1	AL Bar 3U-6U	1
2	Bar support Brkt.	2
3	Umbrella Phillips screw M3x6 (Dog Point)	2
4	Nut OB 5.3x12.0 (M3)	6

Specifications

Attribute	Value
Product 188-1325	HS-19 6U- 425W-335D
External Width	425mm
External Depth	335mm
External Height	262mm
External Dimensions	425 x 245 x 262
Body Material	Aluminum Extrusion
IP Rating	IP30
Color	Black
Lid Color	Black
Flanged	No
Shielded	No
Gasket Material	No
Standard Met	ROHs Compliant
Application	Electrical, Electronic, Industrial