



Features

- Cast aluminium frame.
- Polypropylene-mica composite cone.
- High rebound property of rubber surround.
- Vented pole piece and bumped back plate.

Specifications

Dimensions	: 222mm
Cone Material	: Polypropylene Mica Cone
Surround	: Rubber
Nominal Impedance	: 8Ω
Nominal Power Handling	: 60W
Program Power Handling	: 100W
Sensitivity	: 89dB ± 2dB (2.83V/M/W)
Free Air Resonance	: 40Hz ±8Hz
Frequency Range	: f0 ~ 5000Hz
Net Weight	: 2180 grams

Voice Coil

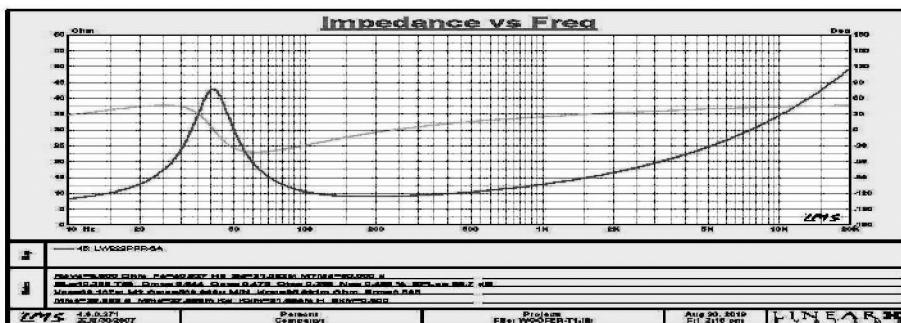
Diameter	: 38.5mm
Length	: 18.2mm
Former Material	: Aluminium (ASV)
Layers	: 2
Wire Material	: Copper (SVW)

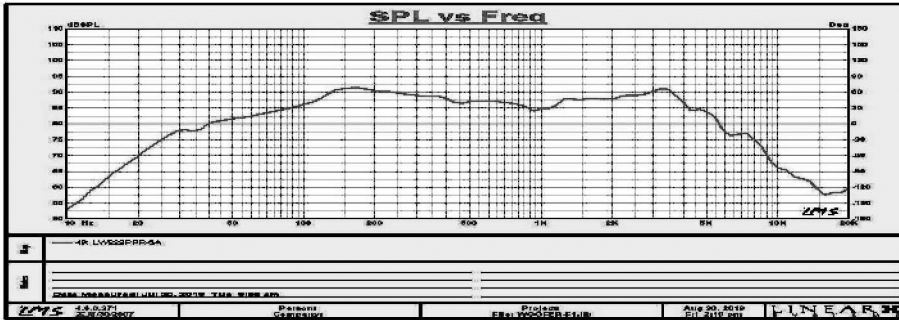
Magnet

Diameter	: 110mm
Height	: 17mm
Weight	: 673 grams
Gap(H)	: 6mm
Material	: Ferrite

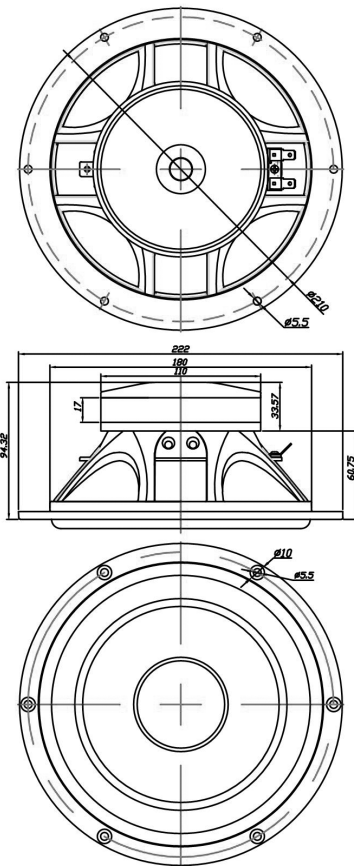
Parameters

Total Q Factor	: Qts: 0.398
Electrical Q Factor	: Qes: 0.472
Mechanical Q Factor	: Qms: 2.544
Equivalent Volume	: Vas: 33.1L
Free Air Resonance	: Fs: 40.9Hz
DC Resistance	: Re: 6.6Ω
Driver Piston Diameter	: D: 165mm
Linear Displacement	: X max: 6.1mm
Suspension Compliance	: Cms: 0.51mm/N
Moving Mass	: Mms: 29.65 grams
BL Product	: BL: 10.33
Sound Pressure Level	: SPL: 88.7dB
Voice Coil Inductance	: Le(1 K): 1.45m/H





Diagram



Dimensions : Millimetres

Part Number Table

Description	Part Number
8" Woofer with PPM Cone, 60W/100W	MP011857

Important Notice : This data sheet and its contents (the "Information") belong to the members of the AVNET group of companies (the "Group") or are licensed to it. No licence is granted for the use of it other than for information purposes in connection with the products to which it relates. No licence of any intellectual property rights is granted. The Information is subject to change without notice and replaces all data sheets previously supplied. The Information supplied is believed to be accurate but the Group assumes no responsibility for its accuracy or completeness, any error in or omission from it or for any use made of it. Users of this data sheet should check for themselves the Information and the suitability of the products for their purpose and not make any assumptions based on information included or omitted. Liability for loss or damage resulting from any reliance on the Information or use of it (including liability resulting from negligence or where the Group was aware of the possibility of such loss or damage arising) is excluded. This will not operate to limit or restrict the Group's liability for death or personal injury resulting from its negligence. Multicomp Pro is the registered trademark of Premier Farnell Limited 2019.

Newark.com/multicomp-pro
 Farnell.com/multicomp-pro
 sg.element14.com/b/multicomp-pro