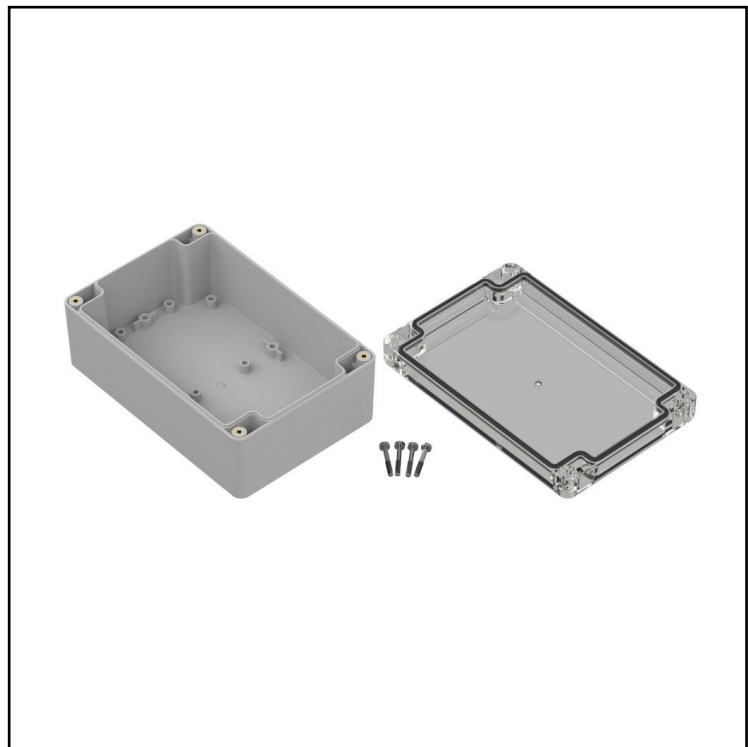


FEATURES

- Made of PC
- Lid made of transparent PC
- Available in light gray colour
- Protection against liquids and solid objects: IP67 rating
- Supplied with four screws
- Threaded brass inserts for reliable assembly.

RS PRO Hermetic Enclosures

RS Stock No.: 2384028



RS Professionally Approved Products bring to you professional quality parts across all product categories. Our product range has been tested by engineers and provides a comparable quality to the leading brands without paying a premium price.

Family Name

Product Description

Hermetic enclosure ideal for applications requiring protection against water ingress. The enclosure is manufactured with polyurethane gasket that provides IP67 rating. Lid manufactured with recess for membrane keypads and overlays. Threaded brass inserts ensures reliable assembly of the enclosure.

General Specifications

Type	Full
Material	PC
Colour	Lightgray with transparent lid
Accessories	Screw M3 17/10 – 4 psc
Mounting	Internal wall mount

Mechanical Specifications

Height	60 mm
Width	100.05 mm
Length	150.05 mm
Gasket	Polyurethane Gasket

Protection Category

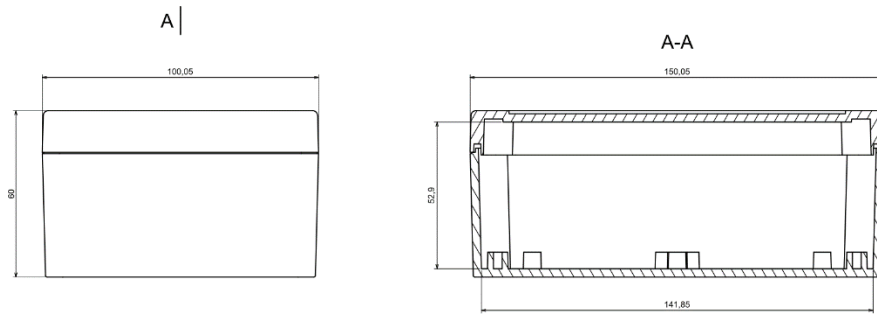
Protection level	IP67
-------------------------	------

Approvals

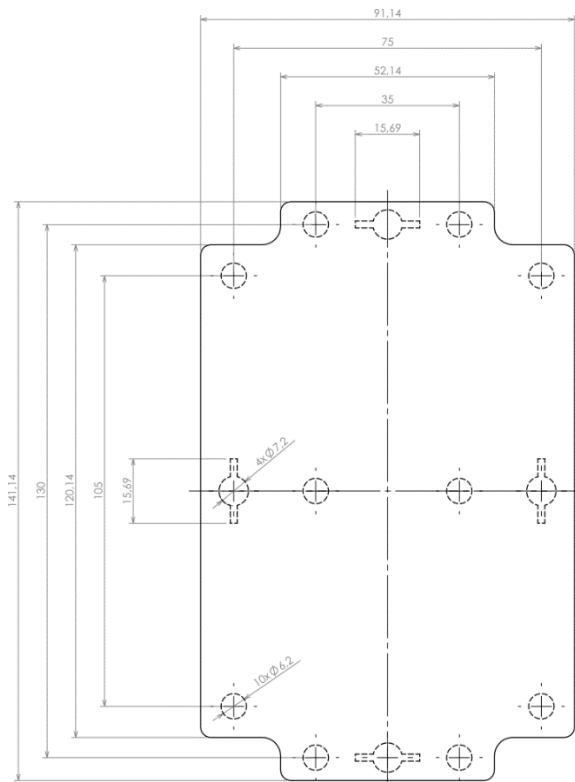
Declarations	CE
Standards Met	RoHS Compliant

Similar Products

Stock No.	Brand	Product Name	Colour	Material
2384028	RS PRO	Hermetic	Lightgrey Transparent	ABS, Transparent PC
2384031	RS PRO	Hermetic	Lightgrey	PC



A|



Dashed line shows outline of the mounting boss under PCB board
 Recommended mounting holes diameter $\varnothing 4\text{mm}$
 All dimensions are given within $\pm 0.5\text{mm}$ tolerance