

## FEATURES

- Extends out from the wall and allows your monitor or television to tilt and adjust easily
- Easy to mount with sliding bracket design
- VESA compliant

## RS PRO VESA Wall Mount With Extension Arm

RS Stock No.: 141-8308



RS Professionally Approved Products bring to you professional quality parts across all product categories. Our product range has been tested by engineers and provides a comparable quality to the leading brands without paying a premium price.

### Product Description

From the trusted RS PRO brand, this articulating wall mounting bracket is a flexible and adjustable wall mounting for your TV monitor. The TV brackets have a wide plate and an articulated arm that allow you to position your monitor or television at an optimum viewing level.

- [141-8307](#) has a 2 joint extending arm
- [141-8308](#) has 3 joint extending arm
- [141-8309](#) has 5 joint extending arm

### General Specifications

<b>Mounting Surface</b>	Wall
<b>Extension Arm</b>	Yes
<b>Maximum Load</b>	10kg
<b>Swivel</b>	180°
<b>Rotation</b>	360°
<b>Quantity of Pivots</b>	4
<b>Applications</b>	TV wall brackets are an ideal way to maximize the available space in a room while optimally displaying a flat panel screen

### Mechanical Specifications

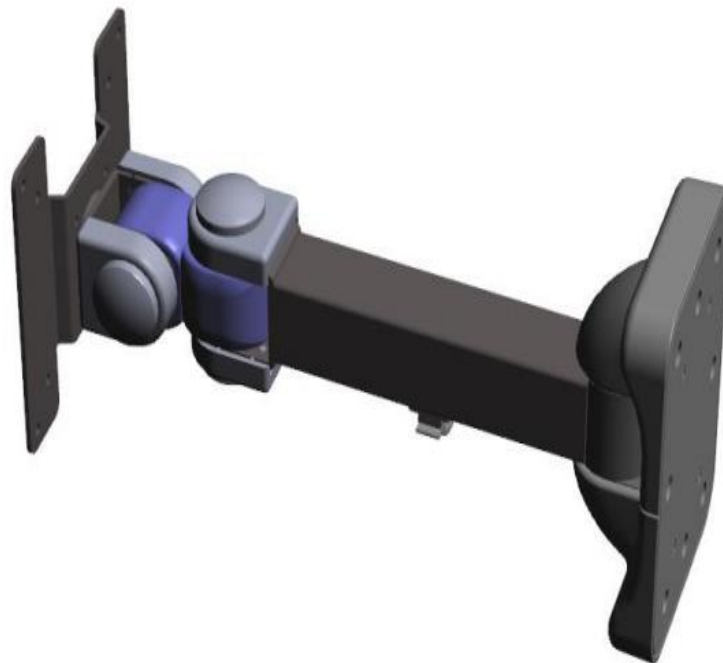
<b>Depth</b>	305mm
<b>VESA Configurations</b>	75 x 75 mm, 100 x 100 mm

### Approvals

<b>Standards Met</b>	VESA standard
----------------------	---------------



3D View:





**Dimensions:**

