

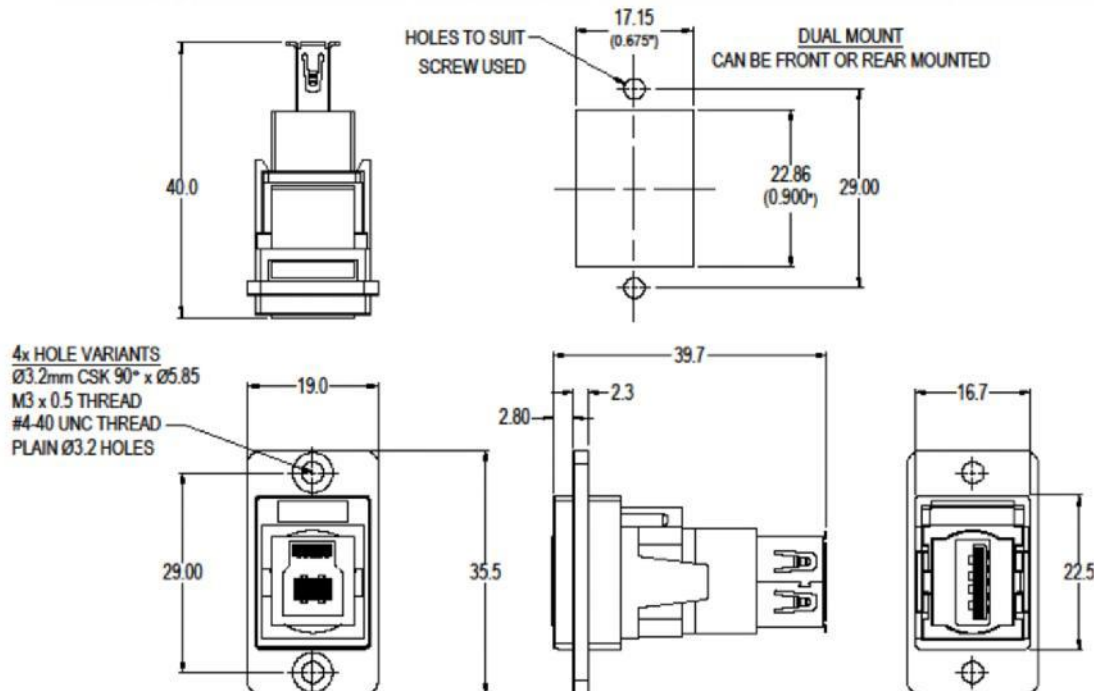
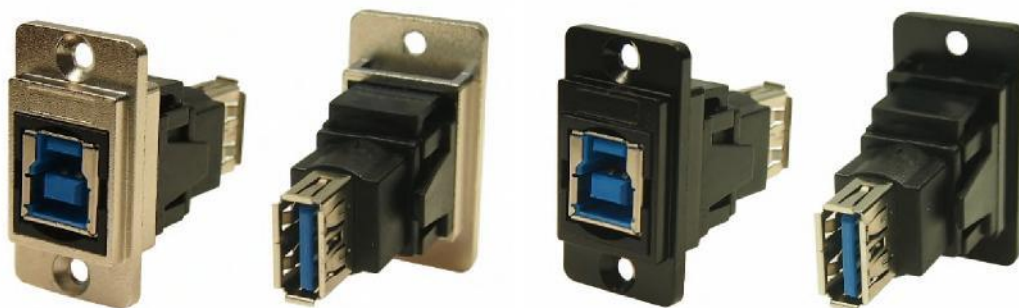


ENGLISH

Datasheet

RS PRO SLIM DUAL MOUNTING METAL FRAME USB3.0 B-A FT CONNECTOR

Stock No: 2354750, 2354751



- Material:
- 1.Insert: ABS
 - 2.Frame: Diecast, Nickel or black plated
 - 3.Shell: Nickel plated steel
 - 4.Contacts: Gold Plated

- Notes:
- 1.Voltage rating: 30V AC
 - 2.Current rating: 1.8 A max
 - 3.Contact resistance: 50mΩ max
 - 4.Insulation resistance: 20MΩ min
 - 5.Dielectric withstanding voltage: 500V AC
 - 6.Operating Temperature: -20°C to 50°C

rspro.com

Features & Benefits:

- Fits standard rectangular cutout.
- Various hole mounting options
- No soldering or punch termination. Use standard cable for each connector style.
- Low rear profile.

General:

Please note: Functionality is affected by cable quality, length and cable wiring configuration.

Variants:

2354750 – DUALSLIM USB3.0 B-A Metal frame, CSK holes

2354751 – DUALSLIM USB3.0 B-A Black metal frame, CSK holes

Applications

- Space and aviation
- Education
- Industrial
- Broadcast and A/V
- Transportation
- Medical
- Vending and gaming



rspro.com

