

## FEATURES

- **Application:**  
Industry
- **Full port**
- **Connections**  
options: FxF
- **Chrome plated brass**  
ball for longer life
- **Silicone-free**  
lubricant on all seals

## RS PRO Brass High Pressure Ball Valve 2 in BSPP 2 Way

RS Stock No.: 733-5198



RS Professionally Approved Products bring to you professional quality parts across all product categories. Our product range has been tested by engineers and provides a comparable quality to the leading brands without paying a premium price.

## Product Description

RS PRO range of brass manual ball valves. Manual ball valves are used to operate shut off valves which control water flow and pressure. These quarter turn brass full bore ball valves have a lever handle and are suitable for high temperature hot water services in industrial applications.

Available in a variety of sizes:

733-5170 - Industrial ball valve, lever 1/2 inch

733-5189 - Industrial ball valve, lever 3/4 inch

733-5182 - Industrial ball valve, lever 1 inch

733-5186 - Industrial ball valve, lever 1-1/4 inch

733-5195 - Industrial ball valve, lever 1-1/2 inch

733-5198 - Industrial ball valve, lever 2 inch

## General Specifications

<b>Threaded Connection</b>	2in BSPP
<b>Attachment Type</b>	Threaded
<b>Body Material</b>	Brass
<b>Thread Size</b>	2in
<b>Safe For Use With</b>	Air, Oil, Steam, Water
<b>Type</b>	2 Way
<b>Application</b>	Heating systems; Water treatment; Liquid flow control

## Mechanical Specifications

<b>Connection Size</b>	50.8mm
------------------------	--------

## Operation Environment Specifications

<b>Working Temperature</b>	-20°C to 150°C
<b>Maximum Working Pressure</b>	40 bar

## Approvals

### Compliance/Certifications

GOST-R (Russia), Expert Conclusion (Russia), EAC Conforming (Russia), UkrSepro (Ukraine), RoHS Compliant

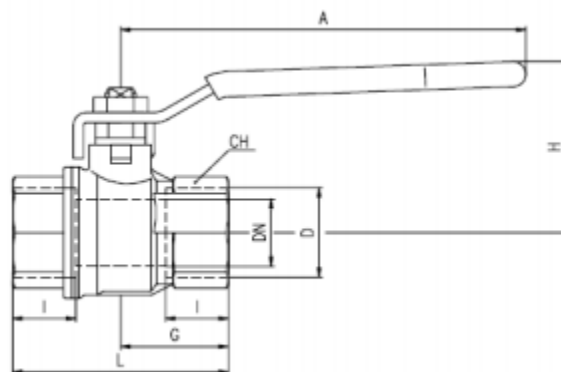
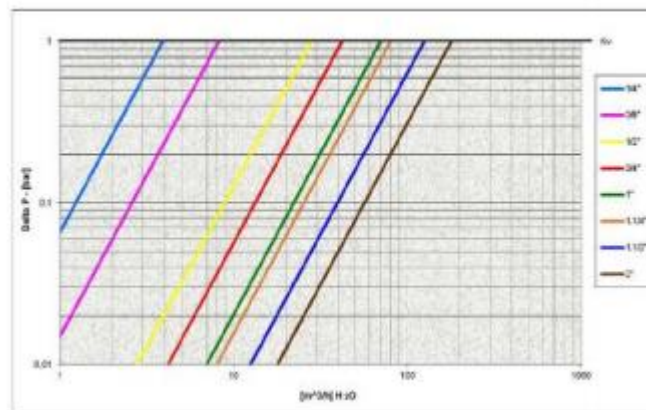


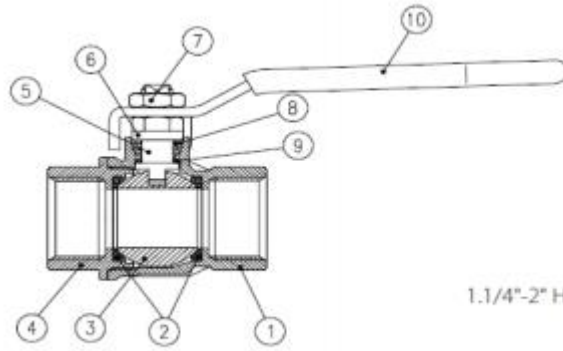


Part Description	Q.ty	Material
1 Nickel plated body (external treatment)	1	CW617N
2 Seat	2	PTFE
3 Chrome plated ball	1	CW617N
4 Nickel plated end cap (external treatment)	1	CW617N
5 Nickel plated stem packing gland design	1	CW617N
6 Nickel plated gland nut	1	CW617N
7 Geomet® nut	1	CB4FF
8 Packing gland seal	1	PTFE
9 Washer	1	PTFE carbon filled 25%
10 Black PVC coated Geomet® steel handel	1	DD11

Code	S85B01	S85C01	S85D01	S85E01	S85F01	S85G01	S85H01	S85I01
D (Inch)	1/4	3/8	1/2	3/4	1	1 1/4	1 1/2	2
DN(mm)	8	10	15	20	25	32	40	50
l (mm)	12	12	15.5	17	21	23	23	26.5
L (mm)	45	45	59	64	81	93	102	121
G (mm)	22.5	22.5	29.5	32	40.5	46.5	51	60.5
A (mm)	82	82	100	120	120	158	158	158
H (mm)	39.5	39.5	43	50.5	54.5	76	82	89
CH(mm)	20	20	25	31	40	49	54	68.5

**Pressure Drop Chart**





1.1/4"-2" Hollow ball

**Pressure-Temperature Chart**

