



ENGLISH

Datasheet

RS Article:1854730

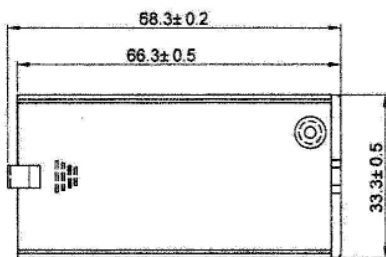
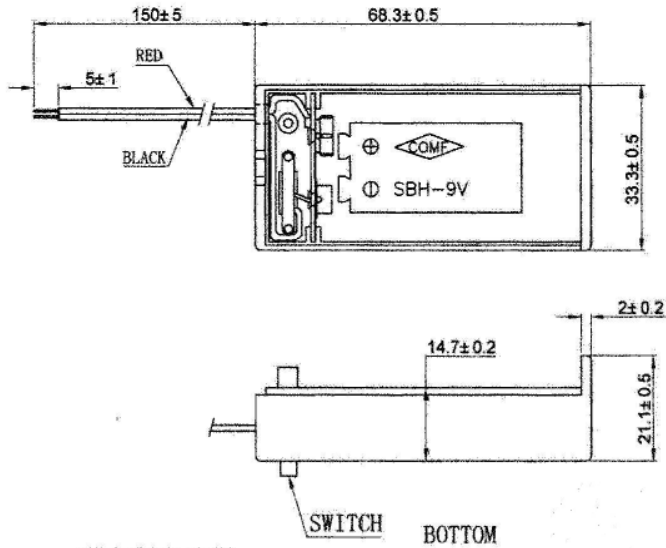
RS Pro Safety Battery Holder



1. Preface:

The purpose of this product specification is to Dimension and drawing

9V with Lead Wire



SPECIFICATION

- (1) ITEM NO: 1854730
- (2) WIRE: UL1007 AWG#26
BLACK & RED : $150\text{MM} \pm 5\text{MM}$
STRIP & TIN : $5\text{MM} \pm 1\text{MM}$
- (3) WITH 6 PRONG SNAP TERMINAL
- (4) MATERIAL: ABS RESIN, BLACK COLOR
- (5) SWITCH: SS-12F-15-G4
- (6) RoHS COMPLIANT

Measure: mm