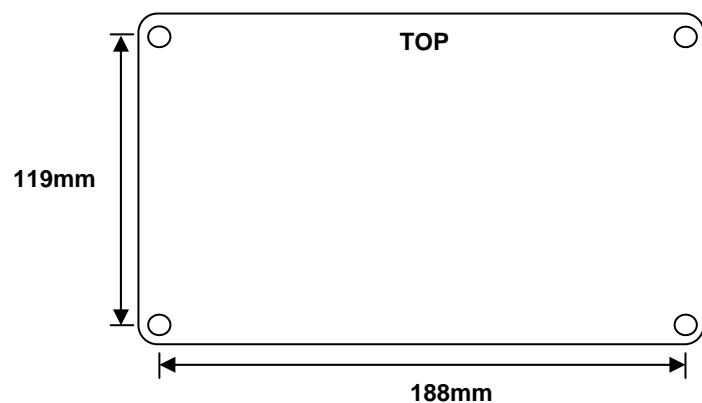


12) Surrounding Area Conditions:

- a) The enclosure is manufactured from ABS & Polycarbonate.
The capillary sensing tube and bulb are copper.
The performance of these materials should be considered with respect to contact with aggressive substances with which the unit may come into contact.
- b) Dust or other material should not be allowed to accumulate on or cover the unit. The surface may be cleaned with a damp cloth.
- c) The thermostat unit is intended for use under normal industrial conditions and should not be installed in an area where extreme vibration may occur.

13) The installation of this product must be carried out by suitably trained and qualified personnel

MOUNTING



Instruction Leaflet



GB

RS Stock No.

665-7554, 665-7558 & 665-7567

The information contained within this data sheet regarding applications and installation of RS Trace Heating Thermostat is for guidance only. The user must satisfy himself that the tape is suitable for the intended application and does not contravene any safety requirements. If in doubt consult BS EN 62395 or other appropriate specifications or regulations.

The kit consists of the following:

- Thermostat Unit

INSTALLATION INSTRUCTIONS

- 1) Thermostats are electro-mechanical thermostat units suitable for use as temperature control unit for electric surface heating systems in non-hazardous areas.
- 2) RS REF 665-7567 units are used as an air sensing thermostat.
- 3) RS REF 665-7554 & 665-7558 units are used as pipe sensing thermostats.
- 4) Maximum Current Rating : 16 amp
- 5) Maximum Voltage : 240V
- 6) Ranges :

Thermostats Available:

RS REF 665-7567: Controlling switching for a measured air temperature range of 0°C to +90°C.

RS REF 665-7554: Controlling switching for a measured air and pipe temperature range of 0°C to +90°C.

RS REF 665-7558: Controlling switching for a measured air and pipe temperature range of 20°C to +210°C.

7) Enclosure:

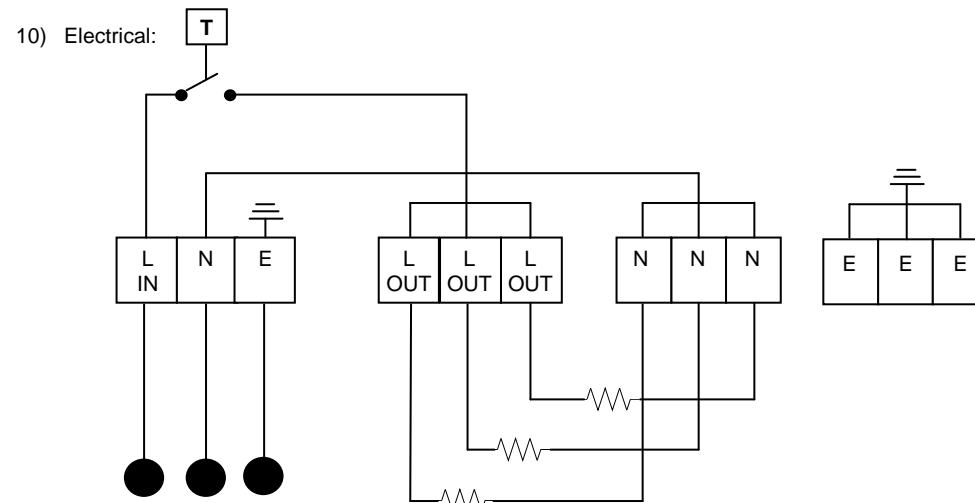
ABS with Polycarbonate Lid.

8) Installation:

- a) The thermostat unit should be mounted securely to a suitable flat surface or on a mounting plate securely fixed to the pipework.
- d) Cover fixing screws should be tightened to ensure the lid is correctly fitted.
- f) Flexing and bending of the sensor capillary tube should be kept to a minimum.
- g) The sensing bulb when using in a pipe sensing role should be securely fixed in good contact with the surface of the pipe or vessel being controlled. This may be done using an adhesive tape or tension banding suitable for the maximum operating surface temperature of the pipe or vessel.
- h) Surfaces should be clean and dry when using adhesive tape.

9) Thermostat Setting:

- a. The thermostat should be set to the required operating temperature by turning the control knob until the required temperature is opposite the marker arrow.
- b. For frost protection set the temperature at 3°C – 5°C.
- c. For temperature maintaining set to the required temperature.



- a. Cable entry to the enclosure should be via an appropriate rated gland.
- b. Maximum conductor size shall be 2.5mm².
- c. Connect the incoming supply to Supply L (live) and N (neutral) E (earth).
- d. All conductors must be fully tightened down within the equipment terminals. It is important that the correct size of screwdriver is used as an oversized screwdriver may damage the terminal insulation.

11) Maintenance:

- a. Periodic inspection of the unit is necessary.
- b. Particular attention should be paid to: tightening of terminal screws, cover fixing screws and earthing assemblies. If any parts are lost or require replacement contact RS Components Ltd for the appropriate replacement part. Only approved replacement parts should be used to avoid invalid certification.
- c. The thermostat settings and operation should be checked annually prior to commencement of winter for frost protection application.
- d. For process control temperature it is recommended that maintenance checks should be carried out at least in six month intervals.
- e. There are no maintainable parts within the thermostat unit.
- f. **CAUTION:** Removal of the cover and/or operation of the control knob should only be carried out by correctly trained personnel.

The information provided in RS technical literature is believed to be accurate and reliable; however, RS Components assumes no responsibility for inaccuracies or omissions, or for the use of this information, and all use of such information shall be entirely at the user's own risk. No responsibility is assumed by RS Components for any infringements of patents or other rights of third parties which may result from its use. Specifications shown in RS Components technical literature are subject to change without notice.