



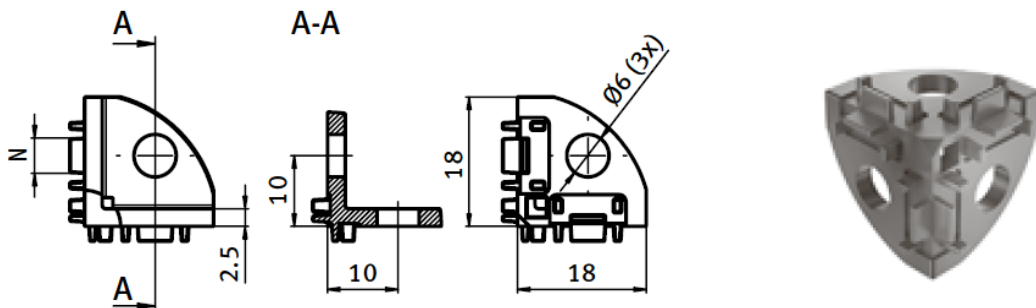
Datasheet

RS PRO 3-Way Connection Angle

Stock number: 180-9138

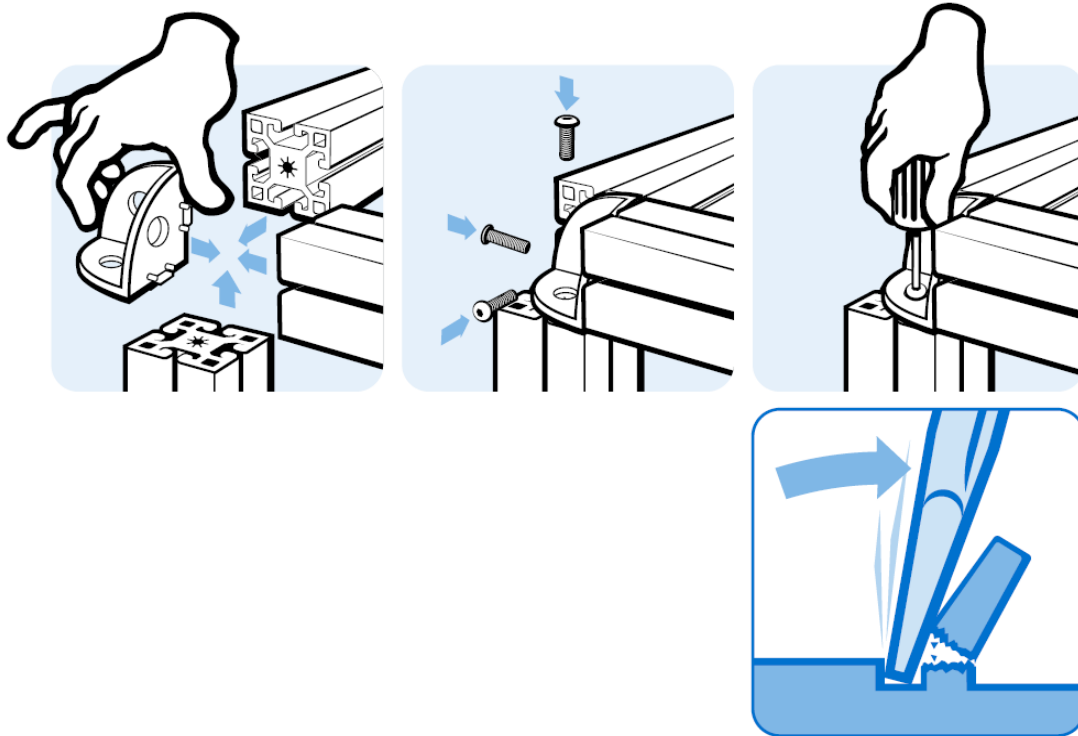
EN

Description	To connect up to three aluminium profiles at right angles, for Slot 5
Material	Zinc die-cast
Fastening	Countersunk screws M5



RS Article no.	Product description	N	Screw	Weight [g]
1809138	3 way connection angle 20 slot 5	5	M5	10.0





RS Article no.	Product description	Compatible with groove size	Product system	Structural element type
1809138	3 way connection angle 20 slot 5	5	20	Connecting Bracket & Joint