



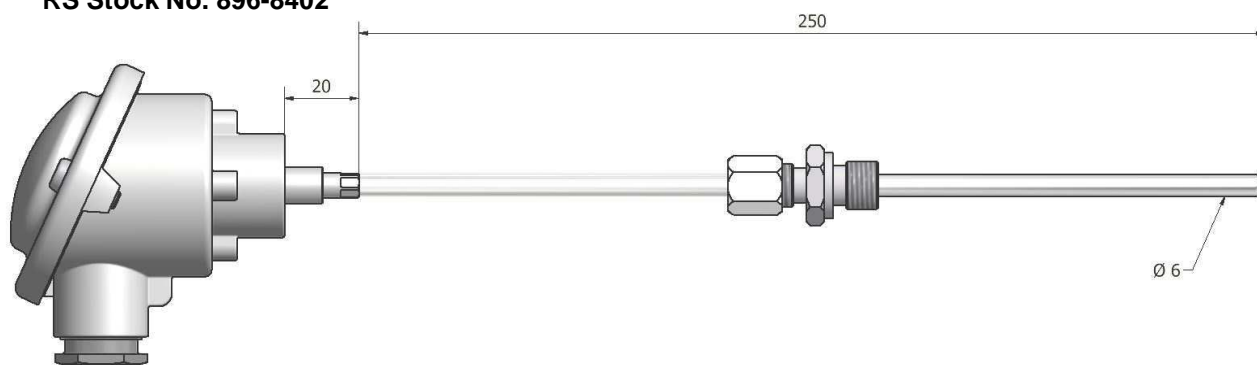
Data sheet

CTMTCB

ENGLISH

RS Stock No. 896-8402

RS Stock No. 896-8402



Thermocouple J . Ø6 x 250 . Sliding fitting

RANGE :

0°C / +750°C

USE:

Universal

KEY POINT:

Reagent, Strong with adjustable process fitting

SPECIFICATIONS :

Thermocouple J type (Iron-Constantan)
Hot junction undergrouded
Sheath material : SS316L
Mineral pressed Insulation
Bendable
B DIN head
Process connection sliding fitting 1/4" BSPP

DIMENSIONS:

Length = 250 mm
Diameter = 6 mm

METROLOGICAL DATA:

As per IEC 584
Standard tolerance TC "J" class1:
-40°C < t° < +375°C = ± 1,5°C
375°C < t° < +750°C = ±0.004. [t]
Time constant in water: < 2s
Output signal EMF (mV) as per curve of J type as per norm IEC 60584