



ENGLISH

Datasheet

Green Panel Mount Indicator

RS Stock number 793-2557



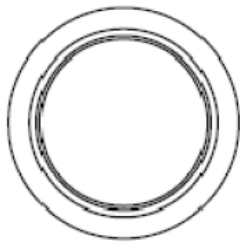
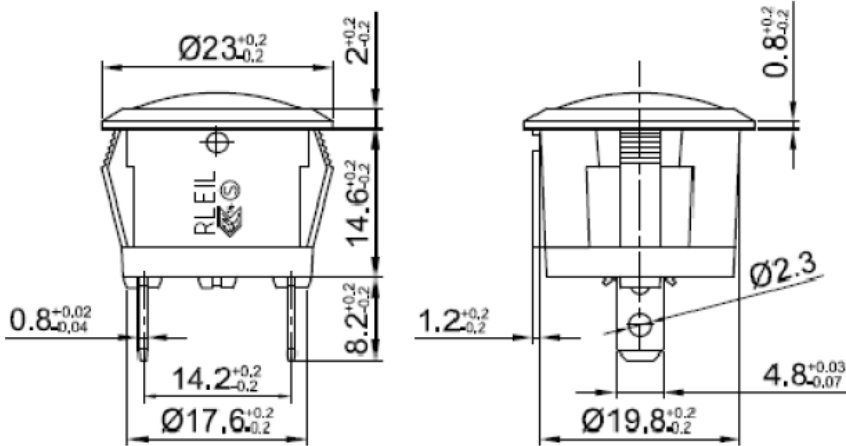
Specifications:

Indicator Lamp:	12 VDC
Colour:	All Black with Green Indicator Lamp
Contact Diameter:	P5 (2.3mm)
Contact Resistance:	30m Ohms Max
Insulation Resistance:	500VDC 100M Ohms Min
Operating Temperature Range:	-25 - 125°C
Housing Material:	Nylon #66 UL 94V-2
Rocker Material:	PC UL 94HB
Terminal Material:	Copper Alloy SN or AG plated



Dimensions - mm

ENGLISH



PANEL HOLE SIZE

Panel thickness	X
0.75-1.25	20.2
1.25-2.0	20.4
2.0-3.0	20.6

