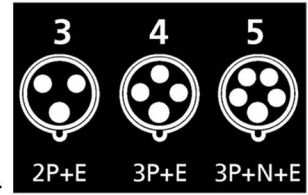
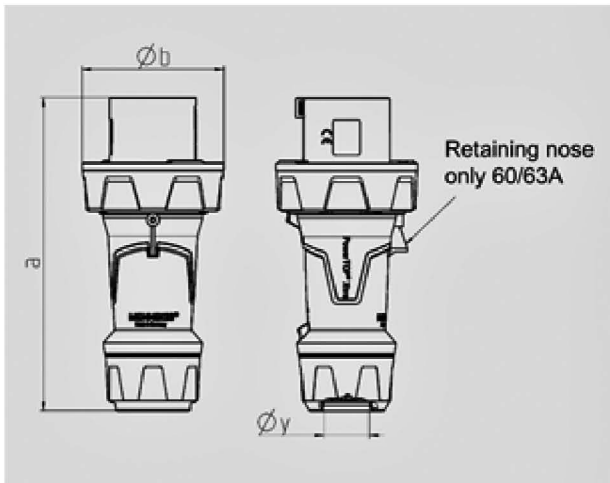


**Plug PowerTOP® Xtra - Part no. 13206**



- screw terminals
- rubberised grip area
- frame terminals
- highly heat resistant contact carrier
- nickel plated contacts
- cable gland and sealing
- strain relief and protection against kinking
- enclosure with thread lock
- two safety slides

|                       |   |
|-----------------------|---|
| Protection type       | IP 67   |
| Ampere                | 63A   |
| Poles                 | 4p  |
| Voltage               | 400V  |
| Hertz                 | 50-60Hz   |
| Earth position        | 6h  |
| Contact               | nickel plated contacts, highly heat resistant contact carrier |
| Connection technology | Screw terminals   |



| Drawing                              | Amp.  | 63  |     |     | 125 |     |     |
|--------------------------------------|-------|-----|-----|-----|-----|-----|-----|
|                                      |       | 3   | 4   | 5   | 3   | 4   | 5   |
| 2 MB 225                             | Poles |     |     |     |     |     |     |
| Dim. in mm                           | a     | 250 | 250 | 250 | 290 | 290 | 290 |
|                                      | b     | 114 | 114 | 114 | 130 | 130 | 130 |
|                                      | y     | 36  | 36  | 36  | 49  | 49  | 49  |
| Terminal for cond. cross             |       | 6   | 6   | 6   | 25  | 25  | 25  |
| section (mm <sup>2</sup> ) min.-max. |       | -16 | -16 | -16 | -50 | -50 | -50 |

