

FEATURES

-
-
-
-
-

RS PRO Piezo Buzzer Components

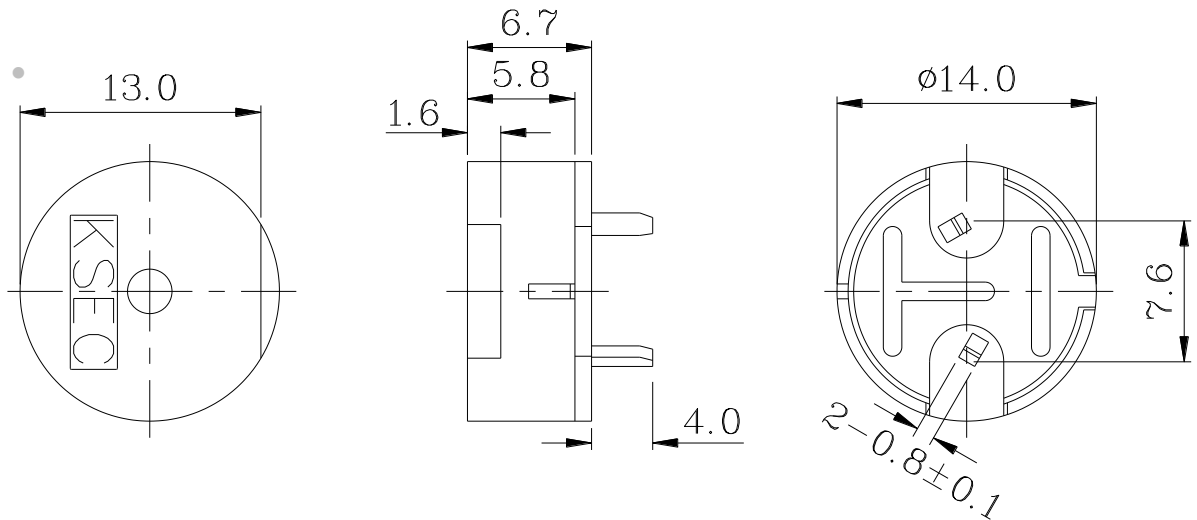
RS Stock No.: 5358180



RS Professionally Approved Products bring to you professional quality parts across all product categories. Our product range has been tested by engineers and provides a comparable quality to the leading brands without paying a premium price.

Product Description

APPEARANCE DRAWING



Tol : ±0.5

Unit: mm

General Specifications

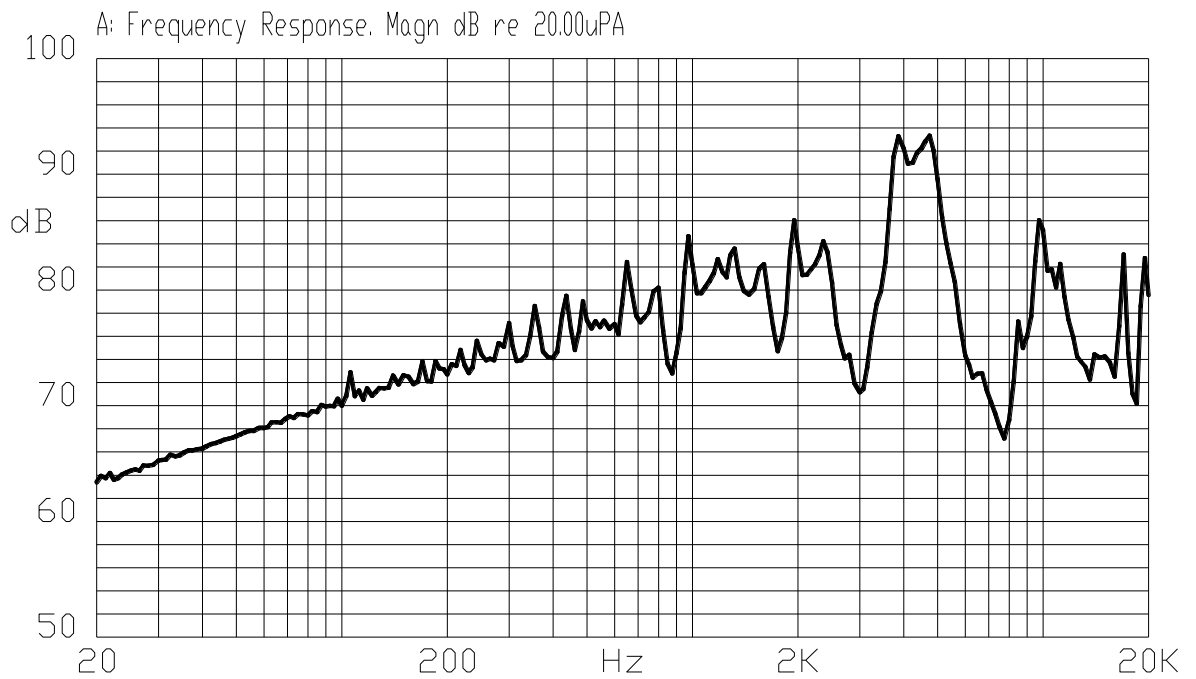
SPECIFICATION

No.	Item	Unit	Specification	Condition
1	Operating Volt.	Vp-p	MAX. 30	
2	Current consumption	mA	MAX. 7	at 10Vp-p,square wave,4.0KHz.
3	Sound pressure level	dB	MIN. 80	at 10cm/10Vp-p,square wave,4.0KHz.
4	Electrostatic capacity	pF	8,500 ± 30%	at 120Hz/1V
5	Operating temp.	°C	-30 ~ +85	
6	Storage temp.	°C	-40 ~ +90	

7	Dimension	mm	ϕ 14.0 x H6.7	See appearance drawing
8	Weight (MAX)	gram	1.0	
9	Material		PBT+10% GLASS (BLACK)	
10	Terminal		Pin type (/Plating Au)	See appearance drawing
11	Environmental Protection Regulation		RoHS	

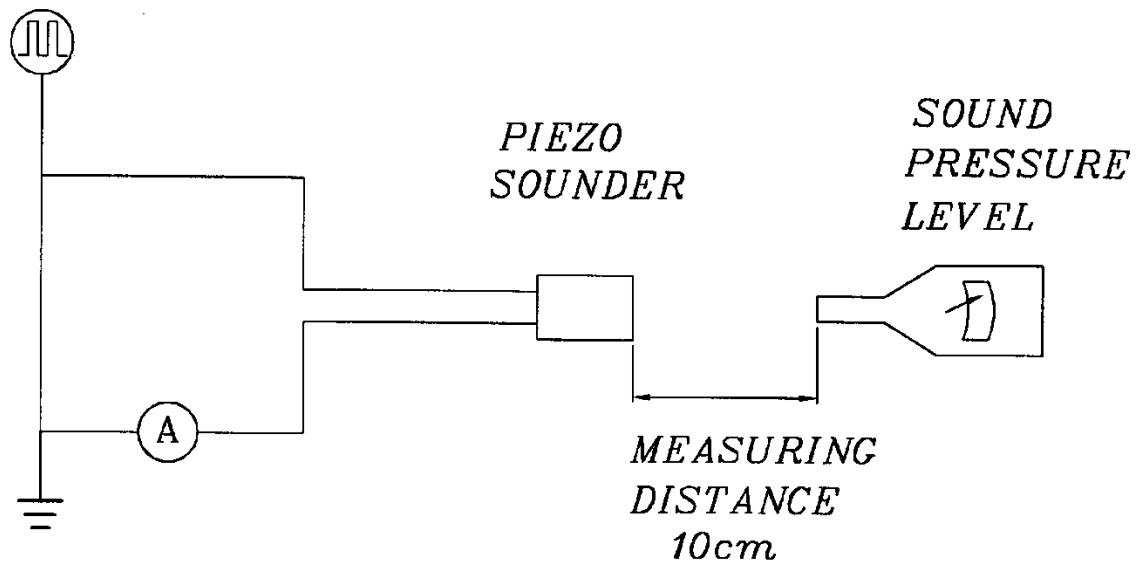
Electrical Specifications

TYPICAL FREQUENCY RESPONSE CURVE



MEASURING METHOD

S.P.L. Measuring Circuit
 Input Signal: 10Vp-p, 4.0kHz, Square Wave



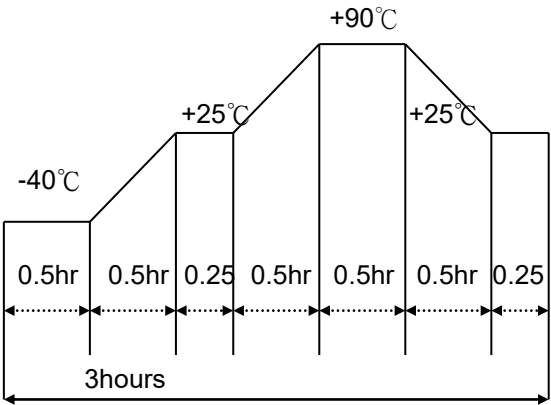
Mic : RION S.P.L meter UC30 or equivalent
 S.G : Hewlett Packard 33120A Function Generator or equivalent

Mechanical Specifications

No.	Item	Test Condition	Evaluation standard
1	Solderability	Lead terminals are immersed in rosin for 5 seconds and then immersed in solder bath of $+270\pm 5^{\circ}\text{C}$ for 3 ± 1 seconds.	90% min. lead terminals shall be wet with solder. (Except the edge of terminal)
2	Soldering Heat Resistance	Lead terminal are immersed up to 1.5mm from sounder's body in solder bath of $+300\pm 5^{\circ}\text{C}$ for 3 ± 0.5 seconds or $+260\pm 5^{\circ}\text{C}$ for 10 ± 1 seconds.	No interference in operation
3	Terminal Mechanical Strength	The force 10 seconds of 9.8N (1.0kg) is applied to each terminal in axial direction.	No damage and cutting off
4	Vibration	Buzzer shall be measured after being applied vibration of amplitude of 1.5mm with 10 to 55hz band of vibration frequency to each of 3 perpendicular directions for 2 hours.	The value of oscillation frequency/ current consumption should be in 10% compared with initial ones .The SPL

5	Drop test	The part only shall be dropped from a height of 75cm onto a 40mm thick wooden board 3 times in 3 axes (X.Y.Z). (a total of 9 times).	should be in $\pm 10\text{dB}$ compared with initial one.
---	-----------	--	---

Operation Environment Specifications

No	Item	Test Condition	Evaluation standard
1	High temp. test	After being placed in a chamber at $+90^{\circ}\text{C}$ for 240 hours	Being placed for 4 hours at $+25^{\circ}\text{C}$, buzzer shall be measured. The value of oscillation frequency/ current consumption should be in $\pm 10\%$ compared with initial ones. The SPL should be in $\pm 10\text{dB}$ compared with initial one.
2	Low temp. test	After being placed in a chamber at -40°C for 240 hours	
3	Humidity test	After being placed in a chamber at $+40^{\circ}\text{C}$ and $90\pm 5\%$ relative humidity for 240 hours	
4	Temp. cycle test	The part shall be subjected to 5 cycles. One cycle shall be consist of : 	

RELIABILITY TEST

No.	Item	Test condition	Evaluation
1	Operating life test	1. Continuous life test 48 hours continuous operation at $+70^{\circ}\text{C}$ with rated voltage applied. 2. Intermittent life test A duty cycle of 1 minute on, 1 minutes off, a minimum of 5000 times at room temp. ($+25 \pm 2^{\circ}\text{C}$) and rated voltage applied	Being placed for 4 hours at $+25^{\circ}\text{C}$, buzzer shall be measured. The value of oscillation frequency/ current consumption should be in $\pm 10\%$ compared with initial ones. The SPL should be in $\pm 10\text{dB}$ compared with initial one.

TEST CONDITION.

Standard Test Condition:a) Temperature : +5 ~ +35°C b) Humidity : 45-85% c) Pressure : 860-1060mbar

Judgment Test Condition:a) Temperature : +25 ± 2°C b) Humidity : 60-70% c) Pressure : 860-1060mbar