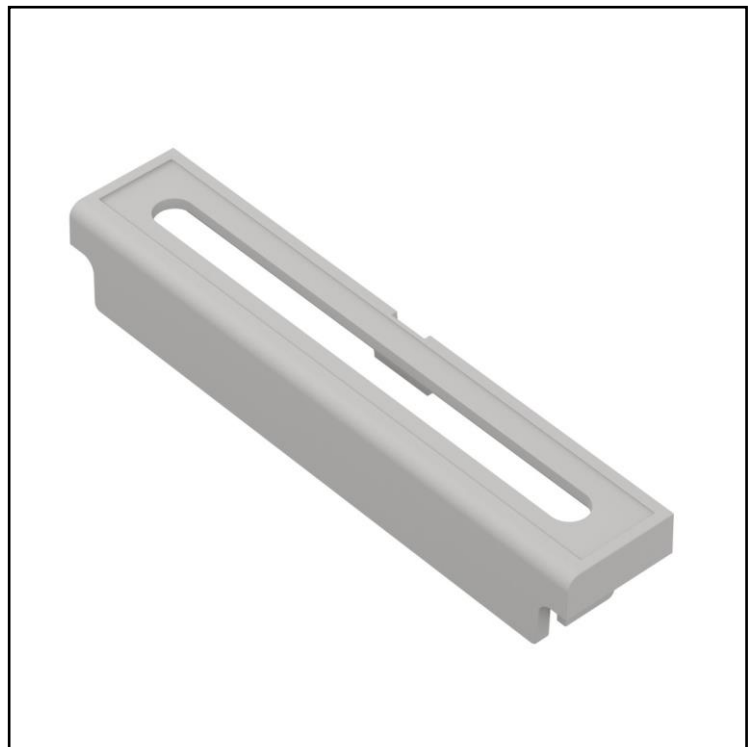


FEATURES

- Made of ABS V0
- Universal terminal cover for four mobile slot

RS PRO DIN Rail Enclosures

RS Stock No.: 2383985



RS Professionally Approved Products bring to you professional quality parts across all product categories. Our product range has been tested by engineers and provides a comparable quality to the leading brands without paying a premium price.

Product Description

Four module universal slot mask. Used when the housing is to have a connector in which all connections will be used. Slot mask designed for ZD1008, ZD1012 enclosures.

General Specifications

Material	ABS V0
Colour	Lightgray
Applications	Accessories for DIN Rail Enclosures

Mechanical Specifications

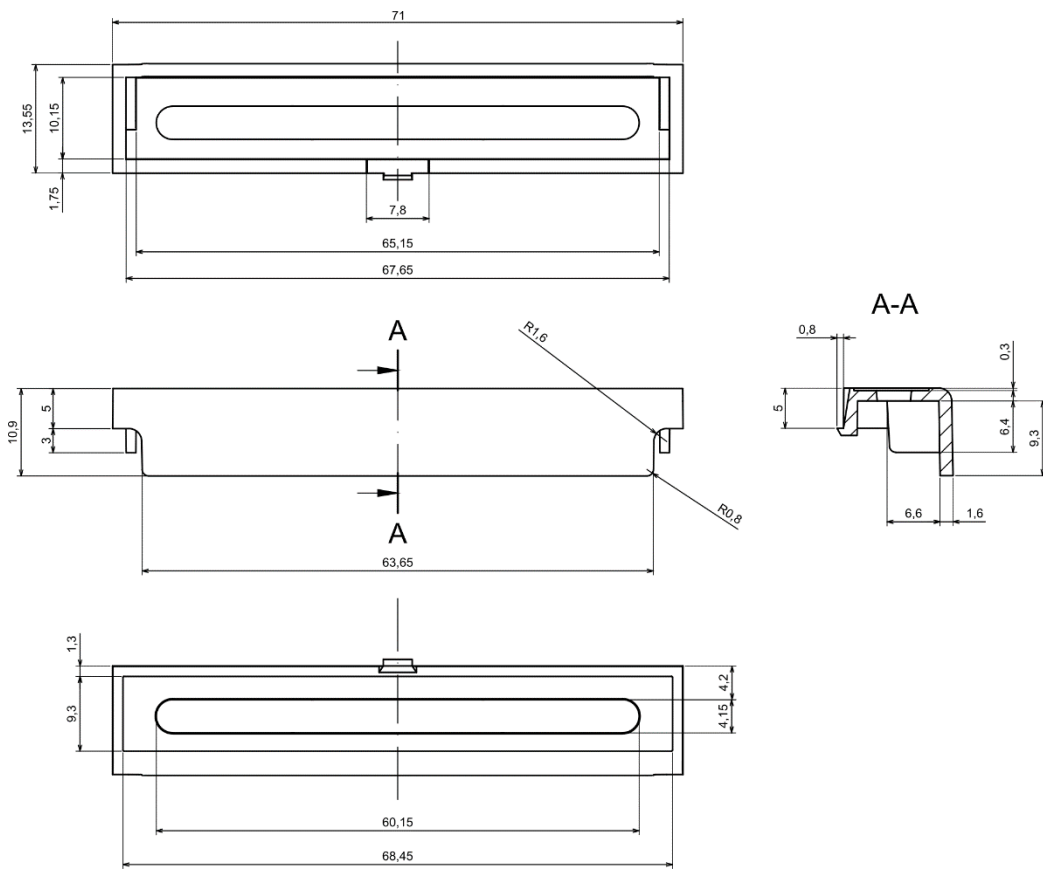
Height	10.9 mm
Width	13.6 mm
Length	71.0 mm
Gasket	No

Approvals

Standards Met	RoHS Compliant
----------------------	----------------

Similar Products

Stock No.	Brand	Product Name	Type
2383982	RS PRO	DIN Rail Enclosures	Customizable terminal cover
2383984	RS PRO	DIN Rail Enclosures	Full terminal cover



All dimensions are given within +/-0,5mm tolerance