

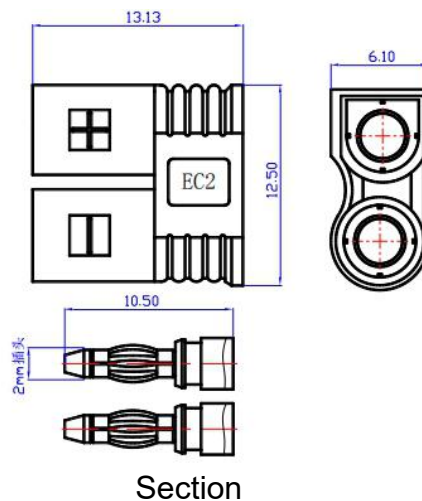


## Datasheet

# RS PRO EC2 Male connector

Stock number: 180-5394

EN



### Material & Parameter

Recommend USE: Controller

Color: Blue

Metal Material: Brass Gold Plated

Plastic Material: PA

FR Level: UL94 V2

Cable Spec: 18AWG

Certification: ---

Contact Resistance: 0.80mΩ

Rated Voltage: DC 500V

Rated Current: 15A

Momentary Current: 30A

Use Times: 1000 TIMES

Use Temperature: -20°C to 120°C

**Remark:** Data sheet will change according with the test background