

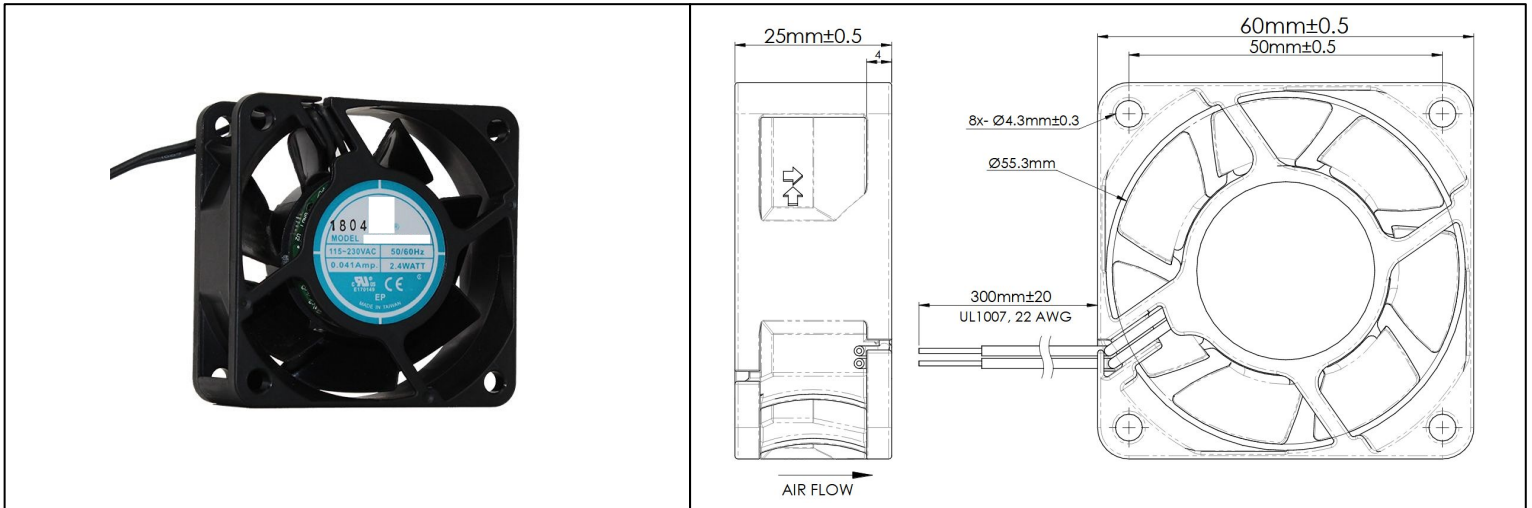


# Datasheet

## RS PRO EC FAN 60x60x25mm

Stock Number: 230-3031

EN



Frame	PBT, UL94 V-0 Plastic	<u>Operating Temperature</u> -20°C ~ +70°C	
Impeller	PBT, UL94 V-0 Plastic	<u>Storage Temperature</u> -30°C ~ +75°C	
Connection	2x Wire Leads, 22 AWG	<u>Life Expectancy</u> 50,000 hours (L10 at 40°C)	
Motor	Brushless EC, Auto Cutoff, Auto Restart, Electronically Protected, Class A Insulation	Weight: 0.06Kgs (0.13 lbs)	
Bearing System	Dual Ball Bearings		
Dielectric Strength	1500VAC/min, <1mA		
Insulation Resistance	≥10M Ohm @ 500 VDC		

Model Number	
Rated Voltage	96- 265 VAC
Rated Power (Watts)	2.2 ± 30%
Rated Current (A)	0.33 ± 0.08
Rated Speed (RPM)	3900 ± 10%
Airflow (CFM)	19.1 ± 10%
Noise Level (dB)	31
Max. Static Pressure	0.17" H <sub>2</sub> O ± 10%