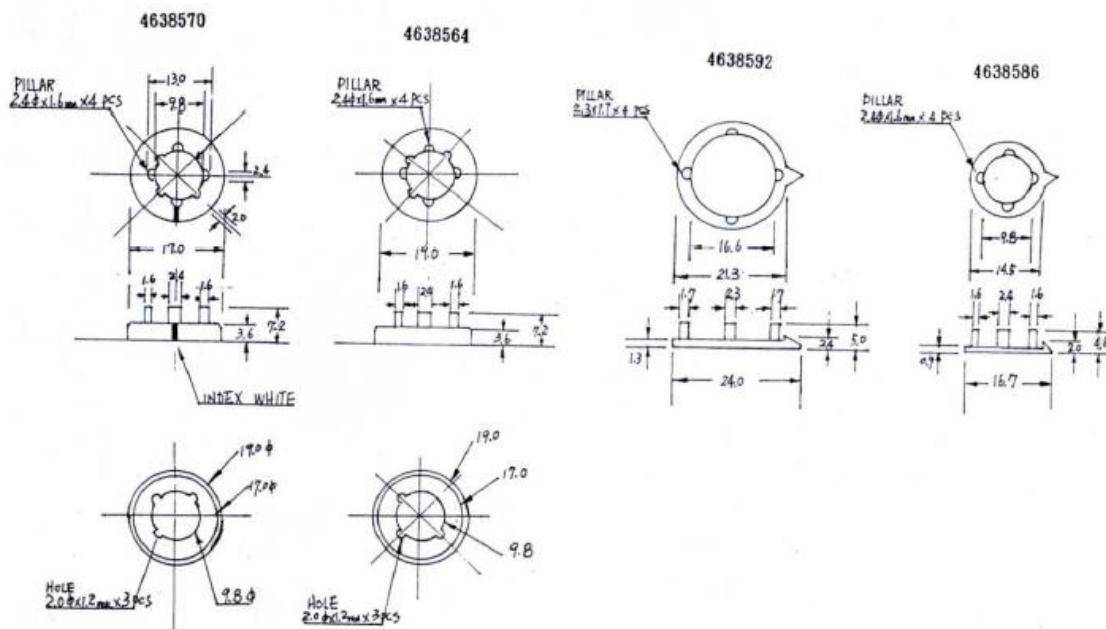


# Datasheet

## RS Potentiometer Knob

RS Stock number [463-8586](#)

Dimensions: mm



### Specifications

6.35mm for fitting on spindles