



Metric Moulded Bevel Gear Sets

in DELRIN® 500

0.5 to 1.0 MOD

2 : 1 Ratio

ENGLISH

20° pressure angle

Bore tolerance -0.02 / -0.04mm

Gear Quality AGMA 7

Supplied in pairs

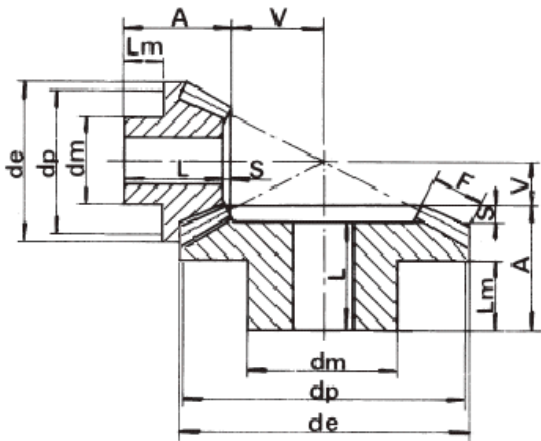
Max. recommended working temperature 90°C

Intermediate sizes & Special bevels to drawing (Tooling charges may apply)

All dimensions in mm.

Shaft axes to intersect within +/- 0.025mm
 Angular accuracy between shafts +/- 5mins
 Mounting distance tolerance +/- 0.05mm

Standard tolerances, unless otherwise stated
 ±0.25 mm.



Code	Pitch Module	No teeth	Bore	dp	de	F	A + V	dm	Lm	S	A
DRB05/2	0.5	40	4	20	20.29	2.5	12	12	4	1.33	8.33
	0.5	20	3	10	11.2	2.5	16	8	4	0	8.46
DRB08/2	0.8	40	5	32	32.47	3.5	18	15	6	1.9	11.91
	0.8	20	4	16	17.92	3.5	24	12	5	0	11.5
DRB10/2	1	40	6	40	40.59	4.5	22	18	7	2.45	14.45
	1	20	5	20	22.4	4.5	30	15	7	0	14.49

[Sintered bronze bushes are available to be used with these gears](#)

Please note : All dimensions including bore sizes subject to change.
 If a dimension is critical to your application please contact our sales department for confirmation.
 for [special gears](#) or [reworked](#) gears please contact our manufacturing department.