

Datasheet

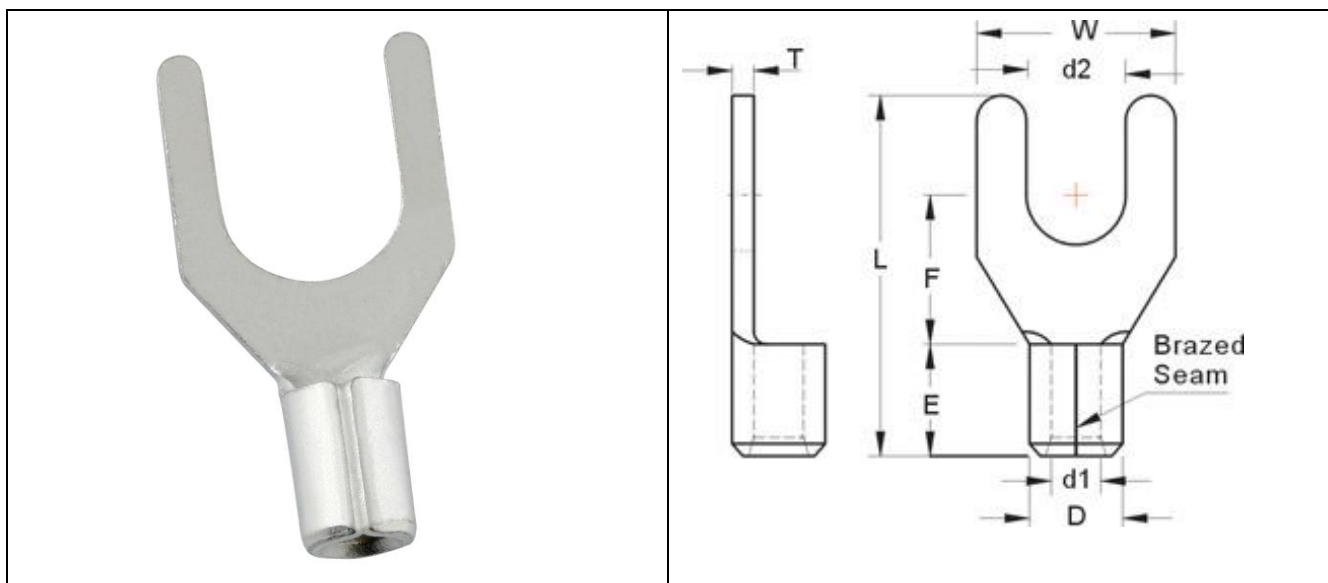
RS PRO NON-INSULATED SPADE TERMINALS

Stock number: 178-8695

MAXIMUM ELECTRIC CURRENT:

A.W.G.	22	20	18	16
AMP.	9	12	17	18

TERMINAL MATERIAL: COPPER
SURFACE TREATMENT: TIN PLATED



WIRE RANGE A.W.G. mm ²	ITEM NO. BRAZED SEAM	STUD SIZE d2	DIMENSION inch(mm)							
			W	F	L	E	D	d1	T	
22-16 A.W.G.	178-8695	#10	0.209	0.374	0.256	0.63	0.189	0.134	0.067	0.03
0.5-1.5 mm ²			5.3	9.5	6.5	16	4.8	3.400	1.7	0.75