



ENGLISH

Datasheet

RS PRO Male Parabolic Bump Stops

The design of the parabolic buffer allows the progressive absorption of energy, whilst allowing the mount to deform, dampen the force and reduce the rate of return.



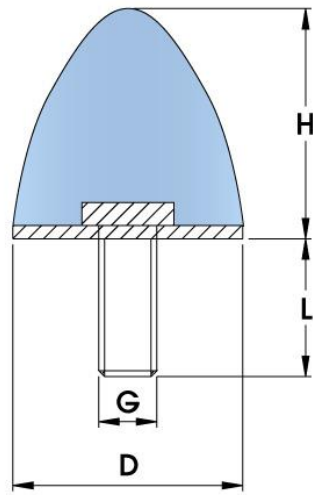
Features:

- Parabolic rubber profile
- Easy to install
- Low cost

Available in natural rubber with zinc plated mild steel plate and stud as standard

Applications:

- Small buffers are used to isolate panel doors on enclosed generators, car bonnets, compressors and pumps
- Large buffers are used for suspension of heavy containers on vehicles



H – Height
 D – Diameter
 G – Thread Size
 L – Thread Length

RS Code (mm)	Rubber Hardness (ShA)	Diameter (mm)	Height (mm)	GxL (mm)	Max Compression Load (KG)
1893208	60	20	24	M6x18	35
1893206	60	30	30	M8x20	56
1893205	70	30	30	M8x20	82
1893222	60	50	50	M10x28	184
1893225	60	100	83	M16x44	820