

1

2

3

4

5

6

A

B

C

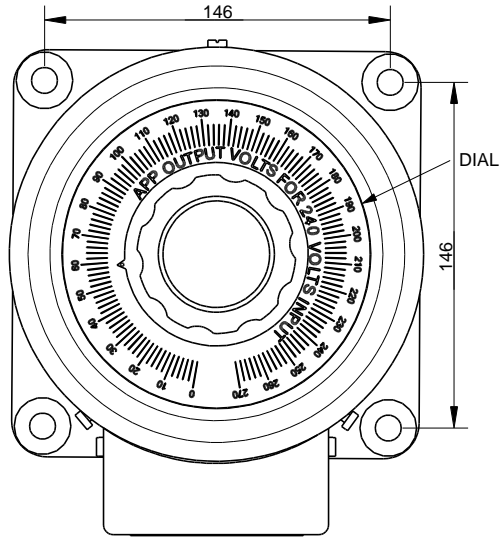
D

A

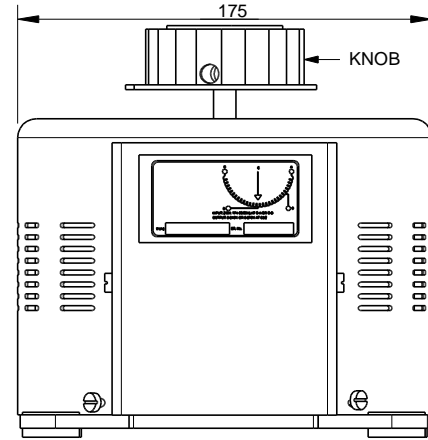
B

C

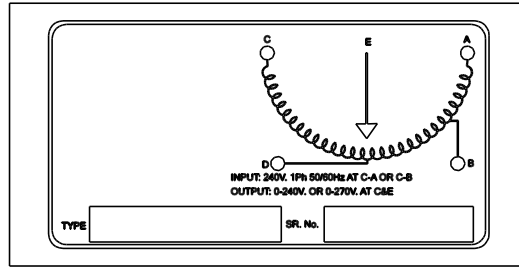
D



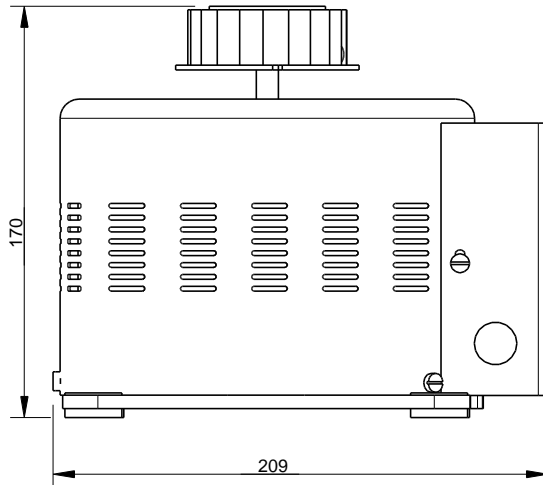
TOP VIEW



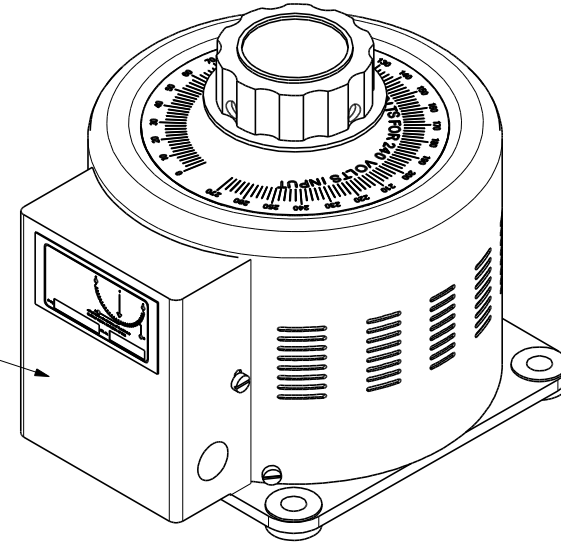
FRONT VIEW



LABEL



LHS VIEW



ISOMETRIC VIEW

CLIENT:-



**PART CODE
8902800**

Drawn
RK

Checked
MR

Drawn Date
29-4-2015

Approved By - Date
MR 29-4-2015

Scale
NTS

TITLE:- TABLE / FLOOR / PORATBLE MOUNTING
TYPE: 8P-1

DWG NO:- VAC/VAR/GA/22/42015

SHEET No: 1-1

1

2

3

4

5

6