

FEATURES

- Rated currents from 30A
- 3 phase filter with standard attenuation
- Voltage rating 300 and 520VAC for world wide acceptance
- Protection against interference of voltage.

RS PRO 25A 520 V ac, Chassis Mount Power Line Filter - 3 Phase

RS Stock No.:237-8742, 237-8744



RS Professionally Approved Products bring to you professional quality parts across all product categories. Our product range has been tested by engineers and provides a comparable quality to the leading brands without paying a premium price.

Power Line Filters

Product Description

- For photovoltaic systems and industrial applications
- Three-phase motor drives
- UPS/SMPS
- Industrial automation equipment

General Specifications

Protection against interference of voltage. YX81 filters provide a broadband common and differential-mode attenuation performance, it still can be available when the interference is larger. Customized products according to customer's requirements

Mechanical Specifications

<i>size</i>	120X100X50mm (L X W X H)
<i>weight</i>	0.7 kgs

Electrical Specifications

Rated Voltage Max.	300/520VAC
Operating frequency	50/60Hz
Rated currents	25A
Hipot Rating	L-N: 1450VDC, L/N-G: 2250VDC

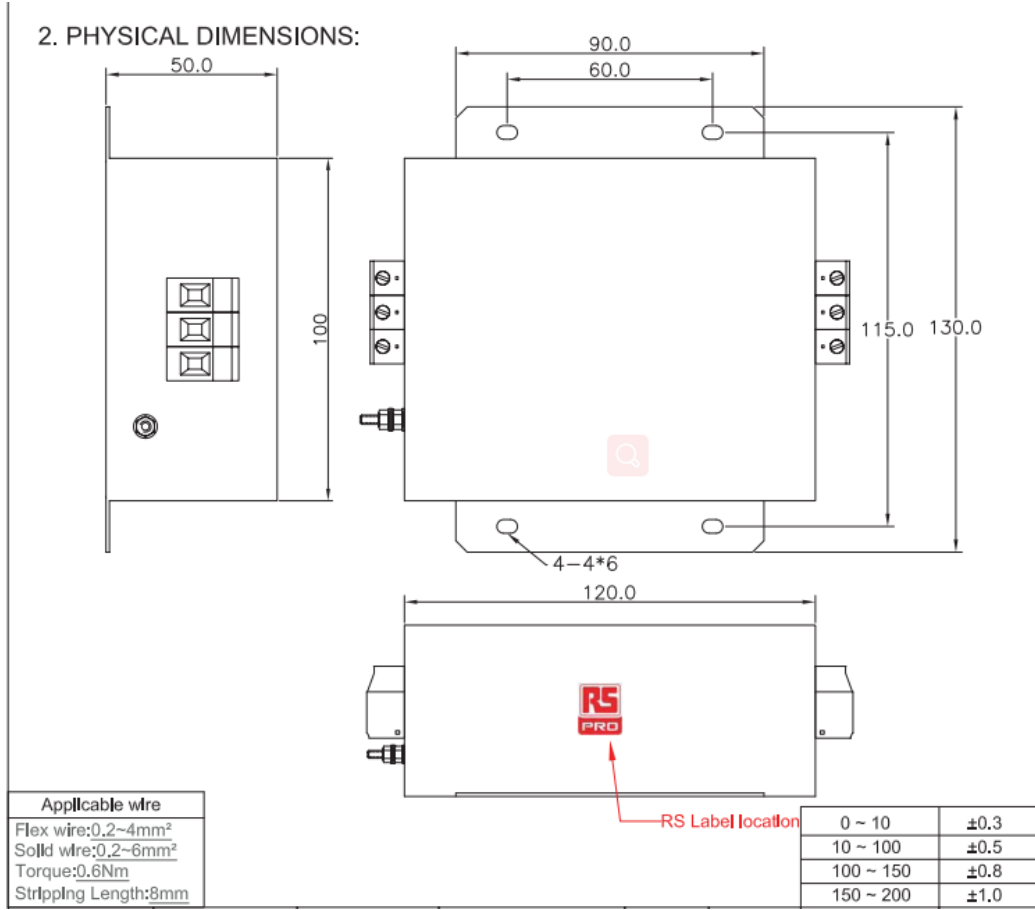
Protection Category

according to IEC 60529 IP40

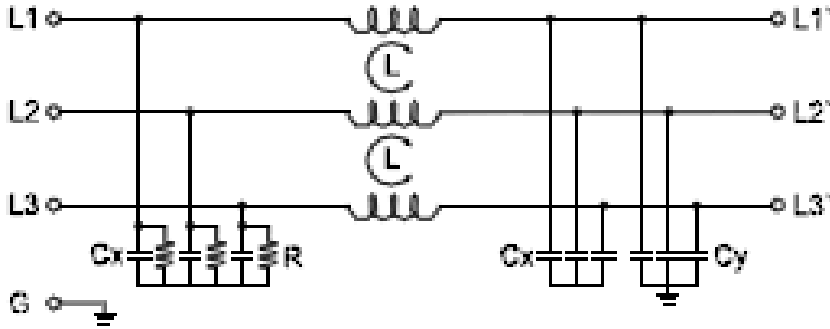
Approvals

Declarations	UL;ENEC;CE
Standards Met	UL1283, CSA C22.2 No.8; IEC/EN 60939,;

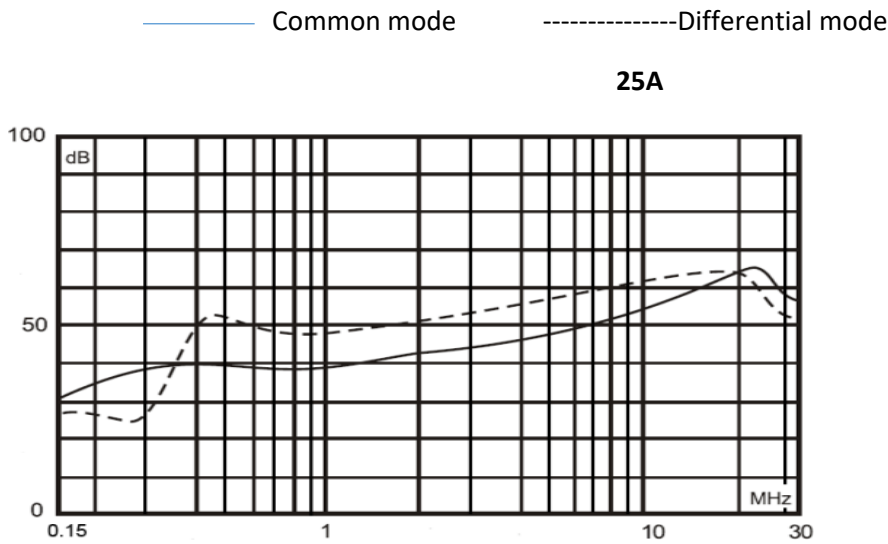
Physical Dimensions:



Electrical Schematic:



Insertion loss table(In 50ohm system according IEC/CISPR No.17)



packaging