

REVISIONS			
ISS	ZONE	DESCRIPTION\PER	REQUEST\DATE
A3	C-3	18.4±0.1改為18.4±0.2, 15.7 ⁺⁰ 改為15.7±0.1, 修改備註	
V	OPEN	對客戶公開圖紙	
	OPEN	對供應商公開圖紙	
	CLOSED	僅限廠內使用	

Electrical(電氣性能):	
Contact resistance(接觸電阻)	3 mΩ max.
Insulator resistance(絕緣電阻)	5000 MΩ min.
Current rating(額定電流)	4P/10A
Withstanding Voltage(耐電壓)	1500 VAC

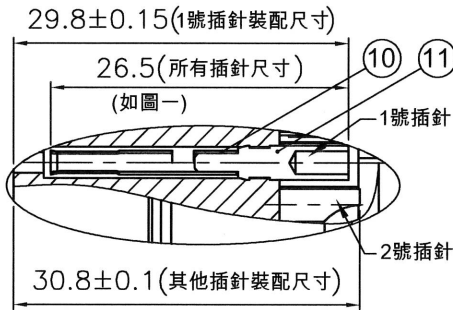
Notes(備註):

- Pin No.1 solder side compare with other pin solder side has less than 1±0.15
(1號插針的焊杯端面比其他插針的焊杯端面低1±0.15)
- Customer sticker pasted on packaging, as following picture.
(包裝袋上需貼上客戶標貼, 如下圖)



★3. Available for OD: 4mm ~ 7.2mm cable.
(適用於4mm~7.2mm線徑)

NO.	DESCRIPTION	MATERIAL	FINISH	Q'TY	DRAWING NO.
10	插針(PIN)	H59-1	鍍銀(SILVER)	4	3102010037
10	插孔(FEMALE PIN)	PHOSPHOR BRONZE	鍍銀(SILVER)	4	3102020016
9	尾套(BOOT)	PVC	黑色(BLACK)	1	4301050010
8	T型圈(T-RING)	POM	白色(WHITE)	1	
7	螺套(CAP)	PA	黑色(BLACK)	1	
6	夾線爪(CHUCK)	POM	白色(WHITE)	1	
5	按鍵(PUSH BUTTON)	ZnAL4-1	鍍鎳(NICKEL)	1	3301010089
4	鋼片(LATCH)	STAINLESS STEEL	鍍錫(TIN)	1	3105010002
3	密封圈(SEAL)	RUBBER	黑色(BLACK)	1	1208010003
2	塑膠(INSULATOR)	PA	黑色(BLACK)	1	4301010026
1	本體(BODY)	ZnAL4-1	鍍鎳(NICKEL)	1	3103040057



A-A' SECTION
(A-A' 剖面)

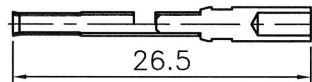


Chart one
(圖一)

DIMENSIONS ARE IN MILLIMETERS
UNLESS OTHERWISE SPECIFIED
TOLERANCES
ANGLES = ±5°
UP TO 6 = ±0.2
6-40 = ±0.4
40-120 = ±0.6
120-315 = ±1
ABOVE 315 = ±1.6

THIRD_ANGLE
SCALE 1.5/1

客戶品號	品名	品號
4580080001	SVP556S-4P-RS	5112010092
4580140001	SVP556S-1-4P-RS-NL (No "SR" logo & pin silver 3um)	5112010195

"英國RS" 專用

APPROVED	DATE 2016-12-29
CHECKED	DATE
DRAWN 吳碧珊	DATE 2016-12-29
FILE NO. D:\CAD\SVPI5112010092\195_ SVP556S-4P-RS / SVP556S-1-4P-RS-NL_CA001A4	
ERP LINK: 5112010092/195	



日昇電子股份有限公司
SUN RISE EXACT INDUSTRIAL CO.

TITLE 4P MIC FEMALE CONNECTOR	
PART NO. SVP556S-4P-RS / SVP556S-1-4P-RS-NL	REV. A4

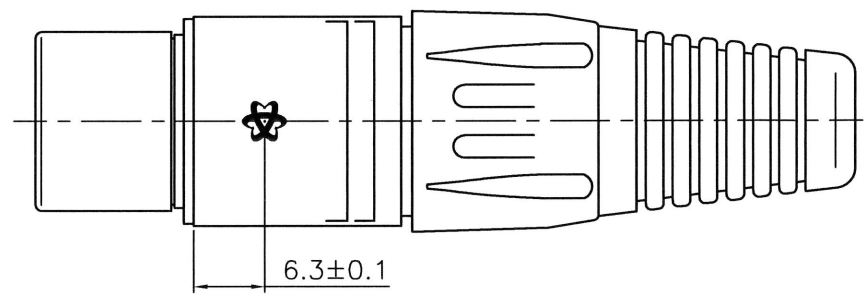
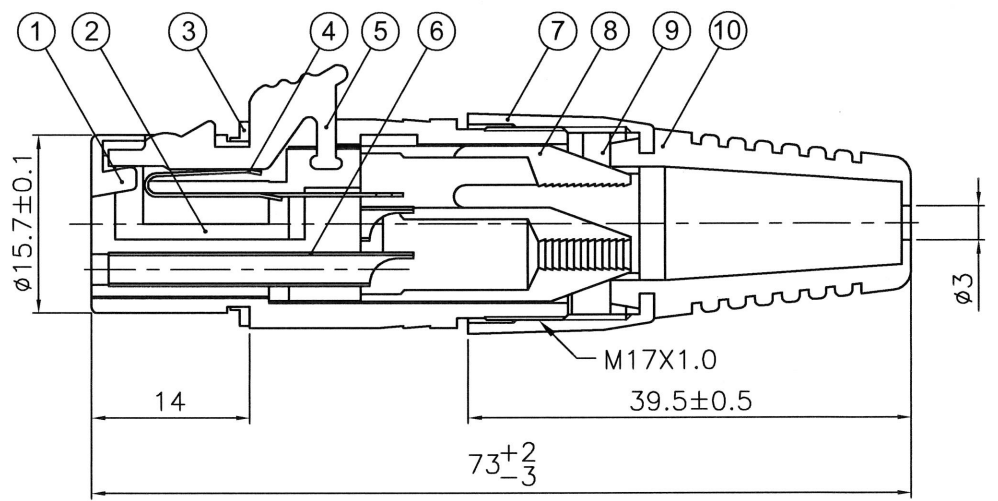
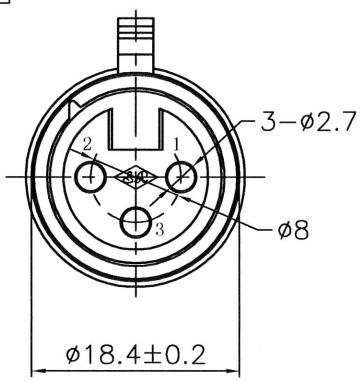
REVISIONS			
ISS	ZONE	DESCRIPTION\PER REQUEST\DATE	
A3	D-4	15.7 ^{+0.1} ₀ 改為15.7±0.1,18.4±0.1改為18.4±0.2,修改備註	
F	V	對客戶公開圖紙	
	OPEN	對供應商公開圖紙	
	CLOSED	僅限廠內使用	

Electrical(電氣性能):	
Contact resistance(接觸電阻)	3 mΩ max.
Insulator resistance(絕緣電阻)	5000 MΩ min.
Current rating(額定電流)	3P/15A
Withstanding Voltage(耐電壓)	1500 VAC

Note(備註):
 1. Customer sticker pasted on packaging, as following picture (包裝袋上需貼上客戶標貼,如下圖)



★2. Available for OD: 4mm ~ 7.2mm cable. (適用於4mm~7.2mm線徑)



台灣日昇電子股份有限公司
ISSUE APPROVED
 發行核可 本文件與簽核紙本正本相符

10	尾套(BOOT)	PVC	黑色(BLACK)	1	
9	T型圈(T-RING)	PP	白色(WHITE)	1	
8	夾線爪(CHUCK)	PA	白色(WHITE)	1	
7	螺套(CAP)	PA	黑色(BLACK)	1	
6	插孔(FEMALE PIN)	PHOSPHOR BRONZE	鍍銀(SILVER)	3	
5	按鍵(PUSH BUTTON)	ZZnAL4-0	鍍鎳(NICKEL)	1	
4	鋼片(LATCH)	STAINLESS STEEL	鍍錫(TIN)	1	
3	密封圈(SEAL)	RUBBER	黑色(BLACK)	1	
2	塑粒(INSULATOR)	PA	黑色(BLACK)	1	
1	鋅殼(DIE-CAST SHELL)	ZZnAL4-0	電泳黑(ELECTRO-COATING BLACK)	1	
NO.	DESCRIPTION	MATERIAL	FINISH	Q'TY	DRAWING NO.

客戶品號	品名	品號
4578910001	SVP556S-BK-1-RS(PIN SILVER 3um)	5112010188
4551260001	SVP556S-BK-RS	5112010068

"英國RS" 專用

DIMENSIONS ARE IN MILLIMETERS		APPROVED <i>黃英明</i> DATE 2016-12-29
UNLESS OTHERWISE SPECIFIED TOLERANCES		CHECKED DATE
ANGLES = ±5°		DRAWN 吳碧珊 DATE 2016-12-29
UP TO 6 = ±0.2		
6-40 = ±0.4		
40-120 = ±0.6		
120-315 = ±1		
ABOVE 315 = ±1.6		FILE NO. D:\CAD\SVF5112010188 / 5112010068_ SVP556S-BK-1-RS / SVP556S-BK-RS_CA001A3
THIRD_ANGLE		ERP LINK: 5112010188 / 5112010068
SCALE	1.5/1	

日昇電子股份有限公司 SUN RISE EXACT INDUSTRIAL CO.		TITLE	
		3P MIC FEMALE CONNECTOR	
PART NO.	SVP556S-BK-1-RS / SVP556S-BK-RS	REV.	A3

F
E
D
C
B
A

F
E
D
C
B
A

REVISIONS		
ISS	ZONE	DESCRIPTION\PER REQUEST\DATE
A3	D-4	15.7 ⁺⁰ _{-0.1} 改為15.7±0.1, 18.4±0.1改為18.4±0.2, 修改備註
F	V	對客戶公開圖紙
	OPEN	對供應商公開圖紙
	CLOSED	僅限廠內使用

Electrical(電氣性能):	
Contact resistance(接觸電阻)	3 mΩ max.
Insulator resistance(絕緣電阻)	5000 MΩ min.
Current rating(額定電流)	3P/15A
Withstanding Voltage(耐電壓)	1500 VAC

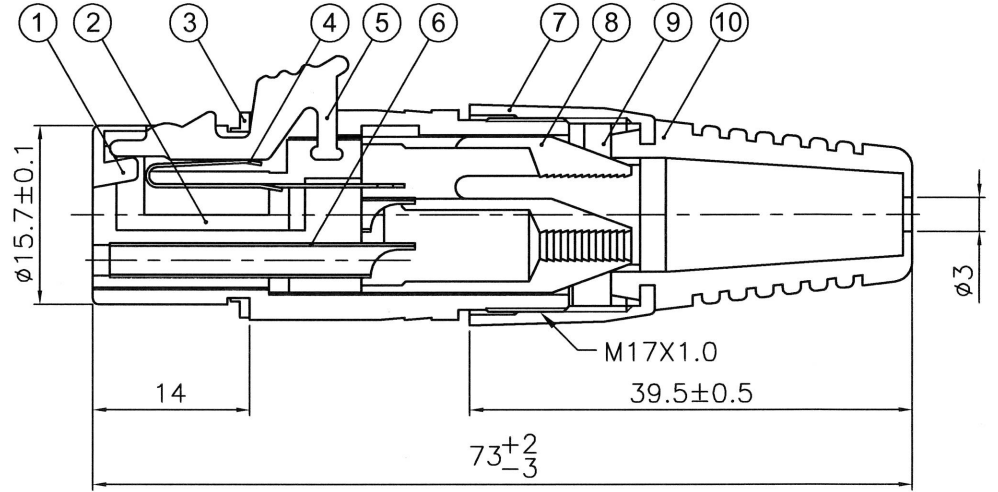
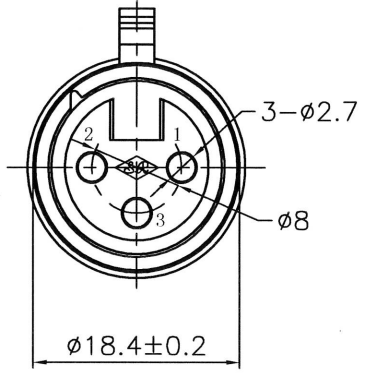
台灣日昇電子股份有限公司
ISSUE APPROVED
 發行核可 本文件與審核紙本正本相符

Note(備註):

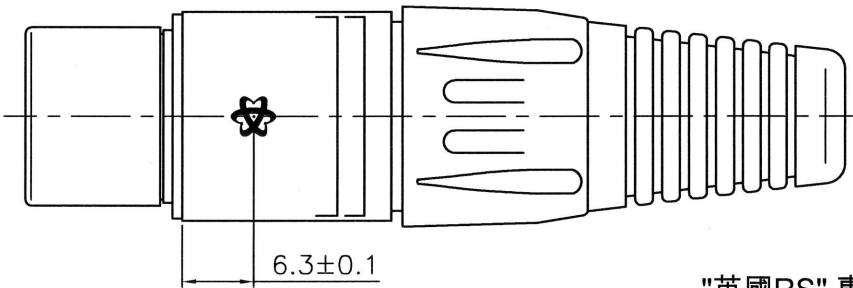
1. Customer sticker pasted on packaging, as following picture (包裝袋上需貼上客戶標貼,如下圖)



★2. Available for OD: 4mm ~ 7.2mm cable. (適用於4mm~7.2mm線徑)



客戶品號	品名	品號
4580240001	SVP556S-1-RS(PIN SILVER 3um)	5112010190
4580020001	SVP556S-RS	5112010091



"英國RS" 專用

10	尾套(BOOT)	PVC	黑色(BLACK)	1	3510400207
9	T型圈(T-RING)	PP	白色(WHITE)	1	3510400142
8	夾線爪(CHUCK)	PA	白色(WHITE)	1	3510400128
7	螺套(CAP)	PA	黑色(BLACK)	1	3510400206
6	插孔(FEMALE PIN)	PHOSPHOR BRONZE	鍍銀(SILVER)	3	
5	按鍵(PUSH BUTTON)	ZnAl4-0	鍍鎳(NICKEL)	1	3510200166
4	鋼片(LATCH)	STAINLESS STEEL	鍍錫(TIN)	1	2520400004
3	密封圈(SEAL)	RUBBER	黑色(BLACK)	1	2510400187
2	塑膠(INSULATOR)	PA	黑色(BLACK)	1	3510400208
1	鋅殼(DIE-CAST SHELL)	ZnAl4-0	鍍鎳(NICKEL)	1	3510200054
NO.	DESCRIPTION	MATERIAL	FINISH	Q'TY	DRAWING NO.

DIMENSIONS ARE IN MILLIMETERS		APPROVED	DATE
UNLESS OTHERWISE SPECIFIED TOLERANCES		吳碧珊	2016-12-29
ANGLES = ±5°		CHECKED	DATE
UP TO 6 = ±0.2		吳碧珊	2016-12-29
6-40 = ±0.4		DRAWN	DATE
40-120 = ±0.6		FILE NO. D:\CAD\SVP\5112010190 / 5112010091_	
120-315 = ±1		SVP556S-1-RS / SVP556S-RS_CA001A3	
ABOVE 315 = ±1.6		ERP LINK:	
THIRD_ANGLE	☉ ☐	5112010190 / 5112010091	
SCALE	1.5/1		

日昇電子股份有限公司 SUN RISE EXACT INDUSTRIAL CO.	
TITLE	
3P MIC FEMALE CONNECTOR	
PART NO.	SVP556S-1-RS / SVP556S-RS
REV.	A3

REVISIONS		
ISS	ZONE	DESCRIPTION\PER REQUEST\DATE
A4	E-4	15.7 ⁺⁰ _{-0.1} 改為15.7±0.1,18.4±0.1改為18.4±0.2,增加備註
V	OPEN	對客戶公開圖紙
	OPEN	對供應商公開圖紙
	CLOSED	僅限廠內使用

Notes(備註):

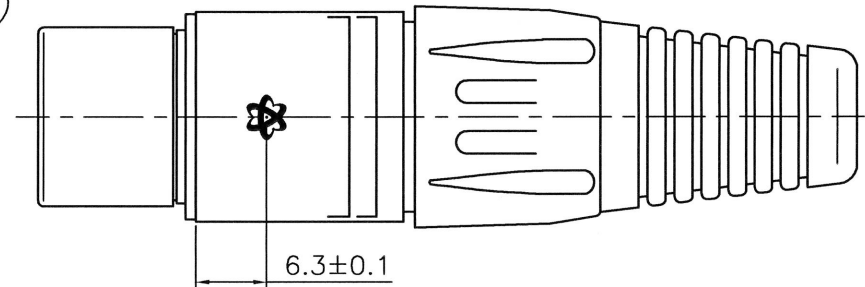
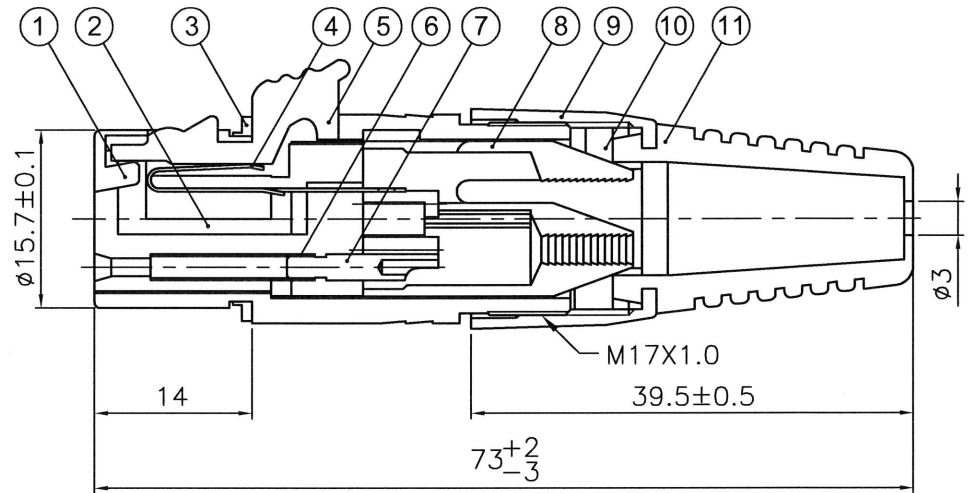
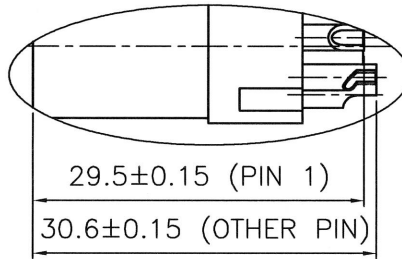
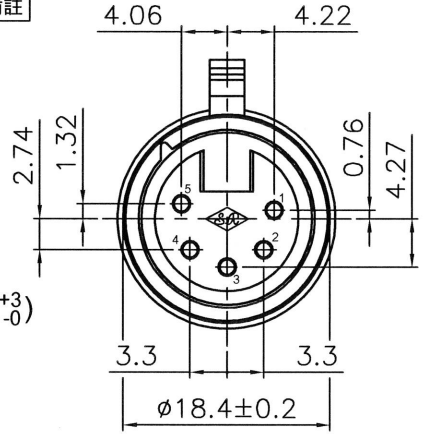
- Pin No.1 solder side compare with other pin solder side has less than 1.1^{+3} ₋₀ (1號插針的焊杯端面比其他插針的焊杯端面低 1.1^{+3} ₋₀)
- Customer sticker pasted on packaging, as following picture (包裝袋上需貼上客戶標貼,如下圖)



- ★3. Available for OD: 4mm ~ 7.2mm cable.
(適用於4mm~7.2mm線徑)

- List 1:
3103040057 鍍鎳(Nickel)
3103040025 鍍電泳黑(Electro-coating black)

NO.	DESCRIPTION	MATERIAL	FINISH	Q'TY	DRAWING NO.
11	尾套(BOOT)	PVC	黑色(BLACK)	1	4301050010
10	T型圈(T-RING)	POM	白色(WHITE)	1	
9	螺套(CAP)	PA	黑色(BLACK)	1	
8	夾線爪(CHUCK)	POM	白色(WHITE)	1	
7	插針(PIN)	H59-1	鍍銀(SILVER)	5	
6	插孔(FEMALE PIN)	PHOSPHOR BRONZE	鍍銀(SILVER)	5	
5	按鍵(PUSH BUTTON)	ZZnAL4-0	鍍鎳(NICKEL)	1	
4	鋼片(LATCH)	STAINLESS STEEL	鍍錫(TIN)	1	
3	密封圈(SEAL)	RUBBER	黑色(BLACK)	1	
2	塑膠(INSULATOR)	PA	黑色(BLACK)	1	
1	鋅殼(DIE-CAST SHELL)	ZZnAL4-0	List 1	1	



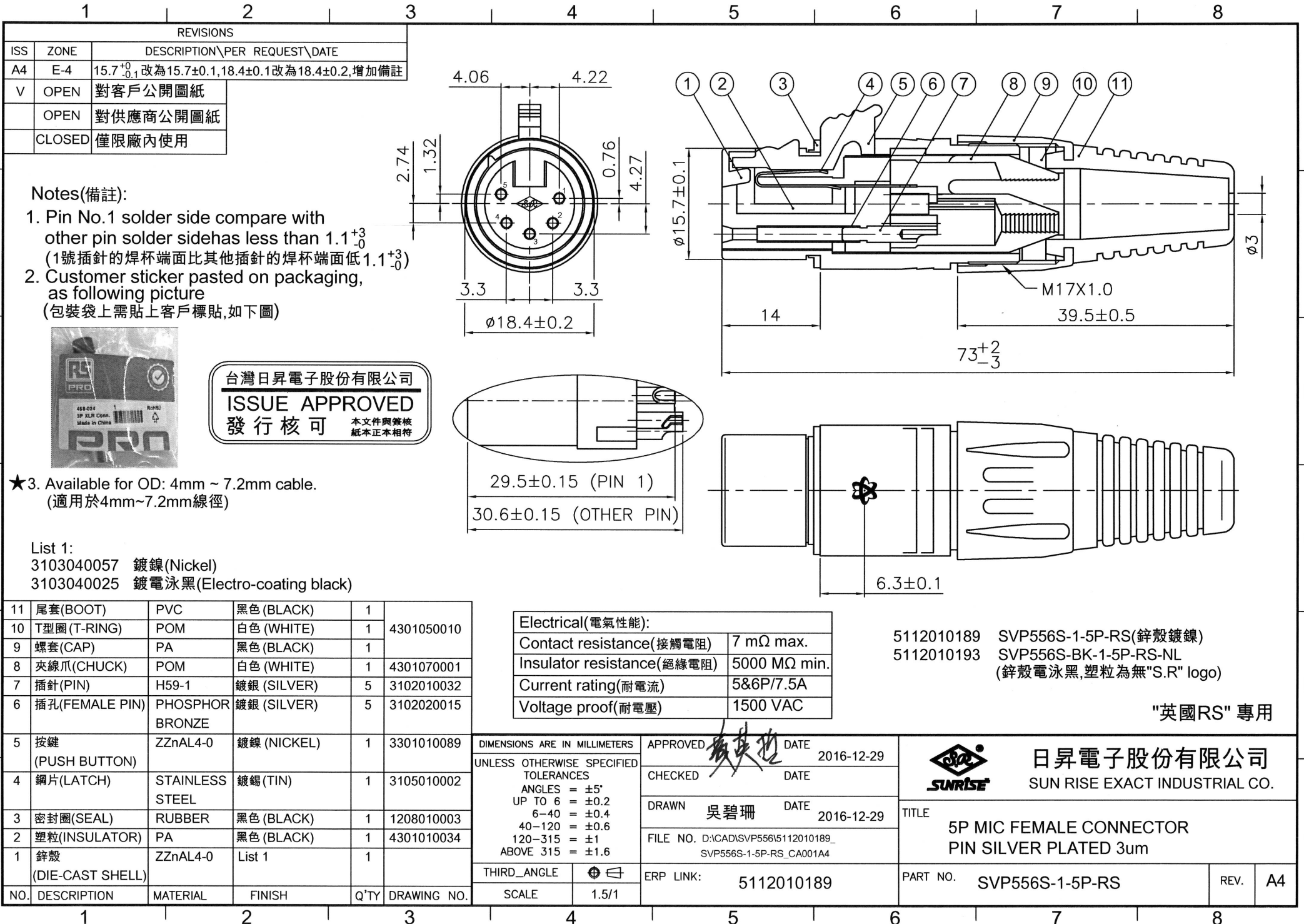
Electrical(電氣性能):	
Contact resistance(接觸電阻)	7 mΩ max.
Insulator resistance(絕緣電阻)	5000 MΩ min.
Current rating(耐電流)	5&6P/7.5A
Voltage proof(耐電壓)	1500 VAC

5112010090 SVP556S-5P-RS(鋅殼鍍鎳)
5112010089 SVP556S-BK-5P-RS-NL
(鋅殼電泳黑, 塑料為無"S.R" logo)

"英國RS" 專用

DIMENSIONS ARE IN MILLIMETERS		APPROVED DATE 2016-12-29
UNLESS OTHERWISE SPECIFIED TOLERANCES		CHECKED DATE
ANGLES = ±5°		DRAWN 吳碧珊 DATE 2016-12-29
UP TO 6 = ±0.2		FILE NO. D:\CAD\SVP556S\5112010090_
6-40 = ±0.4		SVP556S-5P-RS_CA001A4
40-120 = ±0.6		ERP LINK: 5112010090
120-315 = ±1		
ABOVE 315 = ±1.6		
THIRD_ANGLE		
SCALE	1.5/1	

日昇電子股份有限公司 SUN RISE EXACT INDUSTRIAL CO.		TITLE	
		5P MIC FEMALE CONNECTOR	
PART NO.	SVP556S-5P-RS	REV.	A4



REVISIONS		
ISS	ZONE	DESCRIPTION\PER REQUEST\DATE
A4	E-4	15.7 ⁺⁰ _{-0.1} 改為15.7±0.1,18.4±0.1改為18.4±0.2,增加備註
V	OPEN	對客戶公開圖紙
	OPEN	對供應商公開圖紙
	CLOSED	僅限廠內使用

Notes(備註):

- Pin No.1 solder side compare with other pin solder side has less than 1.1⁺³₋₀ (1號插針的焊杯端面比其他插針的焊杯端面低1.1⁺³₋₀)
- Customer sticker pasted on packaging, as following picture (包裝袋上需貼上客戶標貼,如下圖)



台灣日昇電子股份有限公司
ISSUE APPROVED
 發行核可 本文件與簽核紙本正本相符

★3. Available for OD: 4mm ~ 7.2mm cable.
 (適用於4mm~7.2mm線徑)

- List 1:
 3103040057 鍍銀(Nickel)
 3103040025 鍍電泳黑(Electro-coating black)

NO.	DESCRIPTION	MATERIAL	FINISH	Q'TY	DRAWING NO.
11	尾套(BOOT)	PVC	黑色(BLACK)	1	4301050010
10	T型圈(T-RING)	POM	白色(WHITE)	1	
9	螺套(CAP)	PA	黑色(BLACK)	1	
8	夾線爪(CHUCK)	POM	白色(WHITE)	1	
7	插針(PIN)	H59-1	鍍銀(SILVER)	5	3102010032
6	插孔(FEMALE PIN)	PHOSPHOR BRONZE	鍍銀(SILVER)	5	3102020015
5	按鍵(PUSH BUTTON)	ZZnAL4-0	鍍銀(NICKEL)	1	3301010089
4	鋼片(LATCH)	STAINLESS STEEL	鍍錫(TIN)	1	3105010002
3	密封圈(SEAL)	RUBBER	黑色(BLACK)	1	1208010003
2	塑粒(INSULATOR)	PA	黑色(BLACK)	1	4301010034
1	鋅殼(DIE-CAST SHELL)	ZZnAL4-0	List 1	1	

Electrical(電氣性能):	
Contact resistance(接觸電阻)	7 mΩ max.
Insulator resistance(絕緣電阻)	5000 MΩ min.
Current rating(耐電流)	5&6P/7.5A
Voltage proof(耐電壓)	1500 VAC

5112010189 SVP556S-1-5P-RS(鍍殼鍍銀)
 5112010193 SVP556S-BK-1-5P-RS-NL
 (鍍殼電泳黑,塑料為無"S.R" logo)

"英國RS" 專用

DIMENSIONS ARE IN MILLIMETERS		APPROVED <i>吳碧珊</i> DATE 2016-12-29
UNLESS OTHERWISE SPECIFIED TOLERANCES		CHECKED DATE
ANGLES = ±5°		DRAWN 吳碧珊 DATE 2016-12-29
UP TO 6 = ±0.2		
6-40 = ±0.4		FILE NO. D:\CAD\SVP556\5112010189_SVP556S-1-5P-RS_CA001A4
40-120 = ±0.6		
120-315 = ±1		ERP LINK: 5112010189
ABOVE 315 = ±1.6		
THIRD_ANGLE		
SCALE	1.5/1	

日昇電子股份有限公司 SUN RISE EXACT INDUSTRIAL CO.		TITLE	
		5P MIC FEMALE CONNECTOR PIN SILVER PLATED 3um	
PART NO. SVP556S-1-5P-RS		REV.	A4