



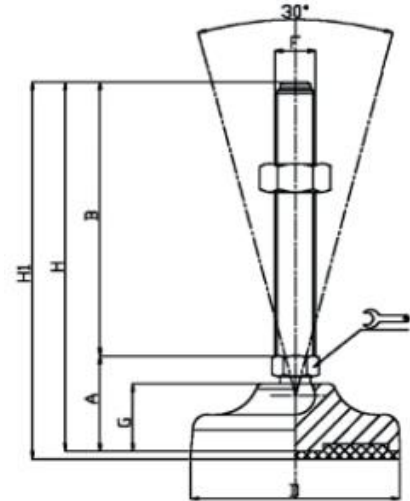
ENGLISH

Mild Steel with Plastic Foot Adjustable Levelling Feet

The RS Pro Height Adjustable mounts are used for levelling and support in many applications including food processing units, packing systems and conveyor systems.

The Plastic Foot base is made of a black polyamide material, reinforced by fiber glass, this along with a Mild Steel thread make this an economical solution for your levelling needs.

The mounts have 30 degree articulation capabilities.



Item Code	Description	A (mm)	B (mm)	D (mm)	F (mm)	G (mm)	H (mm)	H1 (mm)	Max Compression Load (kg)
1854503	Plastic Foot with 30 Degree Articulation	27	75	40	M10	16.5	102	105	1000
1854504	Plastic Foot with 30 Degree Articulation	30	75	50	M10	20	105	108	1100