

Features

- DisplayPort Male
- DVI Male
- 1080p
- Black
- 5 Pack

RS PRO 1mtr DisplayPort M – DVI Cable – Black – 5 Pack

RS Stock No.: 2668491



RS Professionally Approved Products bring to you, professional quality parts across all product categories. Our product range has been tested by engineers and provides a comparable quality to the leading brands without paying a premium price.

Product Description

Our RS PRO 1 metre DisplayPort to DVI-D cable comes with a latching, 20 pin male connector.

The connector hoods are made from black PVC and come with dust caps to protect the connectors. On top of the connector is the latch release and a strain relief on the end of the hood to support the cable.

There are three different types of DVI cables which all share a common connector, DVI-A(analogue), DVI-D(digital) and DVI-I(integrated).

DVI-D and DVI-I are also split into two types of cable, dual link and single link. Dual link has all the pins connected to achieve higher resolutions whereas single link may have the physical pins present but some will not be connected inside the cable.

General Specifications

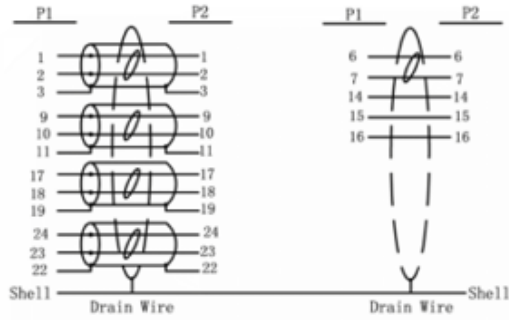
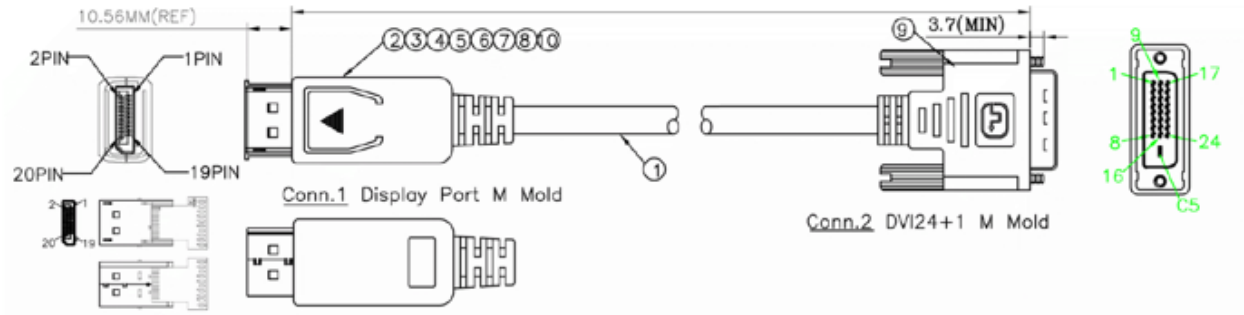
Connector A	DisplayPort Male
Connector B	DVI Male
Sheath Colour	Black
Sheath Material	PVC
Max resolution	1080p

Approvals

Declarations	CE UKCA ROHS REACH
Standards Met	CE UKCA ROHS REACH

Similar Products

Stock No.	Brand	Length	Pack Size	Attribute 2	Attribute 3
182-8784	RS PRO	1mtr	1	DisplayPort Male	DVI Male



10	DisplayPort M DUST CAP
9	DVI M DUST CAP
8	DisplayPort M ABS UP SHELL BLACK
7	DisplayPort M ABS TOP SHELL BLACK
6	φ 1.0 H. S. T L=10MM*4PCS
5	φ 2.0 H. S. T L=8MM*4PCS
4	φ 1.5 H. S. T L=16MM
3	45P BLACK PVC
2	DP (SHELL GOLD PLATED) to HDMI/DVI PCB+SMT+SOLDER
1	DVI (24+1)M TO DVI (24+1) M 30AWG 4M BLCAK GOLD PLATED