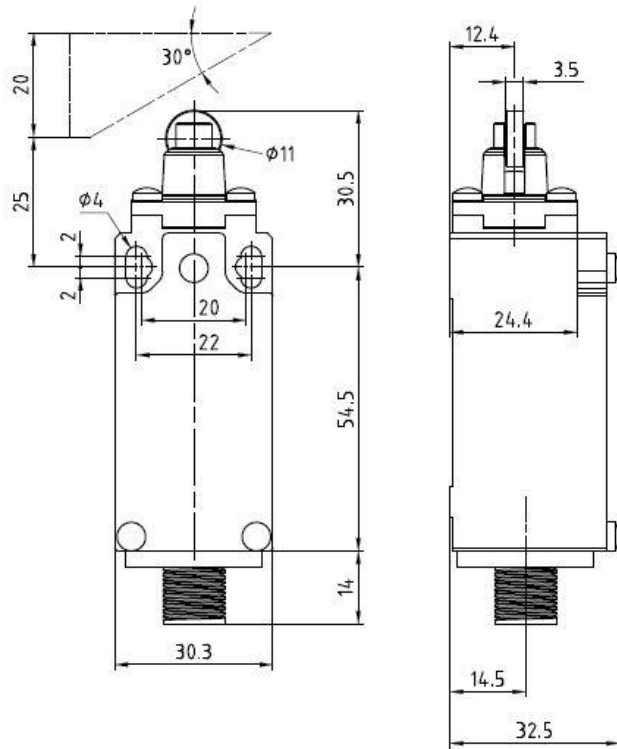


Datasheet

Stock No: 153-3968

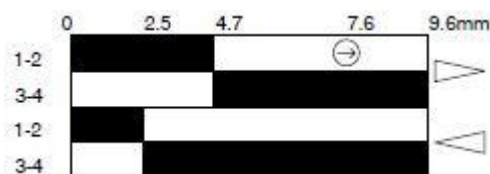
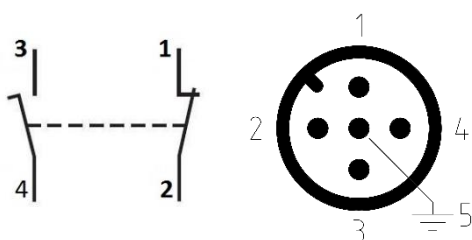
RS Pro 1NO + 1NC Roller Plunger Limit Switch



- 5 Pole M12 Connector
- Metal Casing
- 30 mm Width
- IP66
- Metal Roller Plunger
- Snap Action Contacts (1NO + 1NC)



Operating Diagrams



Positive opening operations according to IEC 60947-5-1



Technical Data

			Metal casing
Standards	Devices conform with standards IEC 60947-5-1 and EN 60947-5-1		
Air temperature			
– during operation	°C		– 25 ... + 70
– for storage	°C		– 30 ... + 80
Protection against electrical shocks (according to IEC 61140)	Class I		
Protection degree (According to IEC 60529 and EN 60529)	IP66		
Rated insulation voltage U_i	250 V (pollution degree 3)		
– according to IEC 60947-1 and EN 60947-1			
Rated impulse withstand voltage U_{imp}	KV		2.5
(according to IEC 60947-1 and EN 60947-1)			
Conventional free air thermal current I_{th}	A		4
(according to IEC 60947-5-1 and EN 60947-5-1) $\theta < 40^\circ\text{C}$			
Short-circuit protection	A		4
$U_e < 500\text{V a.c.}$ – gG (gl) type fuses			
Rated operational current			
I_e / AC-15 (according to IEC 60947-5-1)	24V - 50/60 Hz	A	4
	120V - 50/60 Hz	A	4
	400V - 50/60 Hz	A	4
I_e / DC-13 (according to IEC 60947-5-1)	24V - d.c.	A	4
	125V - d.c.	A	0.55
	250V - d.c.	A	0.4
Switching frequency	Cycles/h		3600
Load factor			0.5
Resistance between contacts	m Ω		25
Connecting terminals	M12 – 5 poles – Male connector		
Mechanical durability	Millions of operations		15