

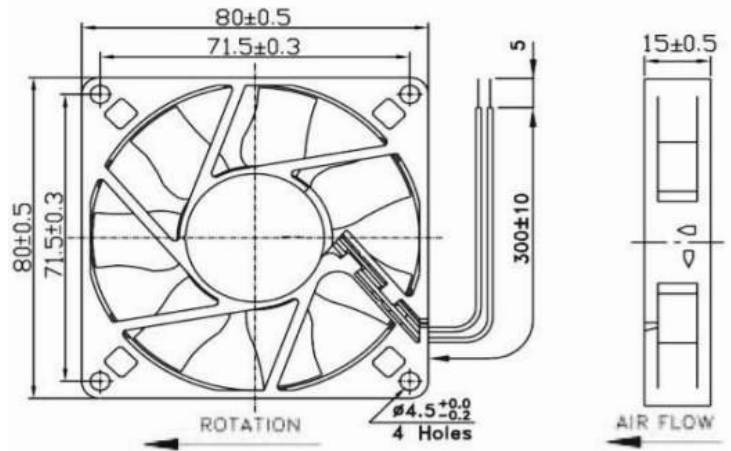


Datasheet

RS PRO DC FAN 80x15mm

Stock Number: 541-5255

EN



Frame	PBT UL94 V-0 Plastic	<u>Operating Temperature</u> -10°C ~ +70°C	<p>Static Pressure ("H₂O)</p> <p>Airflow (CFM)</p>
Impeller	PBT UL94 V-0 Plastic	<u>Storage Temperature</u> -40°C ~ +70°C	
Connection	2x Wire Leads, 24 AWG	<u>Life Expectancy</u> 70,000 hours (L10 at 40°C)	
Motor	Brushless DC, Auto Cutoff, Auto Restart, Polarity Protected	Weight: 0.062Kgs (0.13 lbs)	
Bearing System	Dual Ball Bearings		
Dielectric Strength	500VAC/min < 1mA		
Insulation Resistance	10M ohm between leadwire and frame (500VDC)		

Model Number	541-5255
Rated Voltage	24 VDC
Voltage Range	21.6 ~ 26.4 VDC
Rated Current	0.08 A
Rated Speed (RPM)	2440
Airflow (CFM)	20.3
Noise Level (dB)	27.5
Max. Static Pressure	0.07" H ₂ O