



EN

Datasheet

RS PRO NYLON-INSULATED CORD END TERMINALS

Stock number: 178-7279

MAXIMUM ELECTRIC CURRENT:

A.W.G.	26
AMP.	5.5

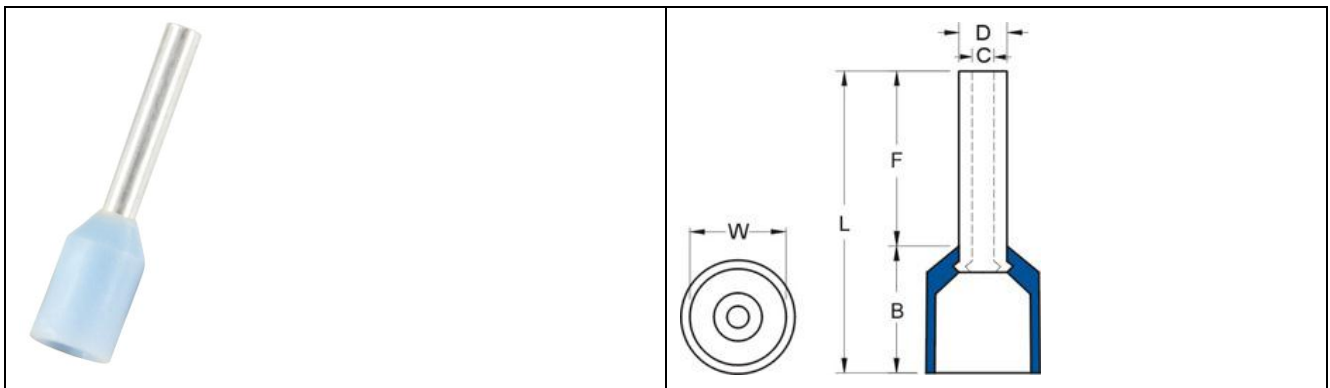
MAXIMUM ELECTRICAL RATING: 105° C 600 VOLTS MAX.

INSULATION MATERIAL: NYLON

TERMINAL MATERIAL: COPPER TUBE

SURFACE TREATMENT: TIN PLATE

INSULATION COLOR: LIHGT BLUE



WIRE RANGE A.W.G. mm ²	ITEM NO.	DIMENSION inch(mm)					
		F	L	W	B	D	C
26 A.W.G. 0.25 mm ²	<input type="checkbox"/> 178-7279	0.236 6	0.409 10.4	0.075 1.9	0.173 4.4	0.043 1.100	0.031 0.8