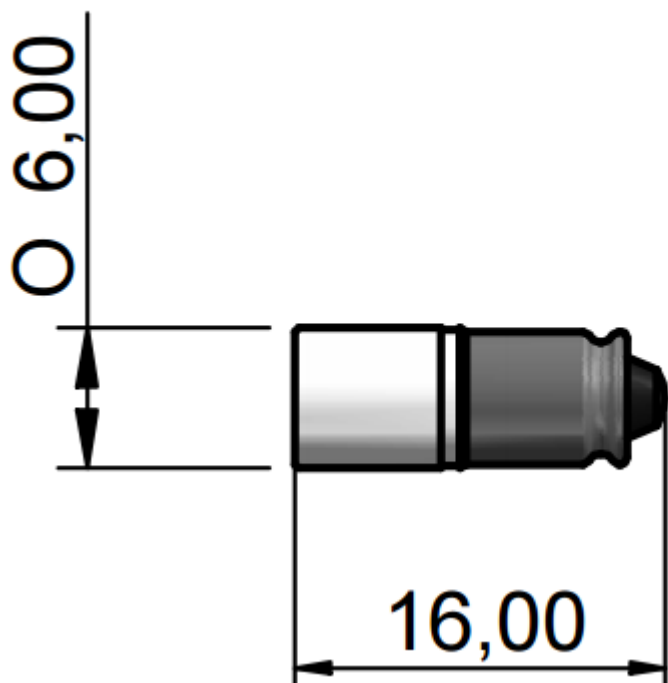


# Datasheet

## LED Indicator Lamp

RS ITEM NO 210-046



LED/Multiled	<i>LED</i>	Optimum voltage (V)	<i>48Vac/dc</i>	Intensity	<i>2070mcd</i>
Mounting Size	<i>TI 3/4</i>	Rectifier	<i>Half Wave</i>		
Mounting Finish	-	AC current	<i>7mA</i>		
Protection	-	DC current	<i>15mA</i>		
Mount Holder	<i>Midget Groove</i>	Voltage Tolerance (%)	<i>10%</i>		
Chip Qty	<i>1</i>	Optimum temperature (°C)	<i>-30°C...+60°C</i>		
Indicator colour	<i>White</i>	Storage temperature (°C)	<i>-30°C...+60°C</i>		
Wavelength (nm)		Contact Tab	<i>Midget Groove</i>		



*Dimension in mm (typical, not to scale.  
We reserve the right to make changes without further notice to this product to improve reliability, function or design.*