

Datasheet

ENGLISH

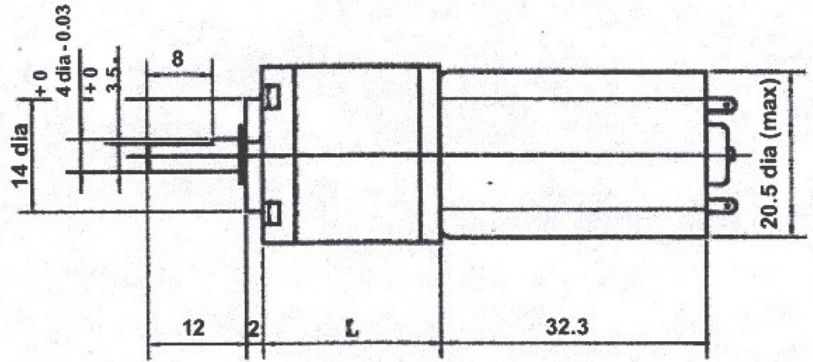
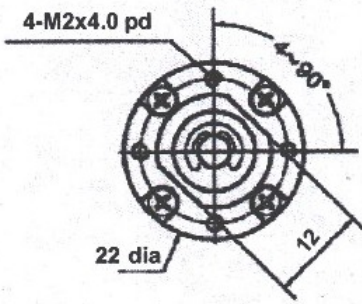
RS PRO, 12 V dc, 65 gcm, Brushed DC Geared Motor, Output Speed 2000 rpm

Stock No: 420-700



Specifications:

Output Speed	2000 rpm
Supply Voltage	12 V dc
Maximum Output Torque	65 g.cm
DC Motor Type	Brushed
Shaft Diameter	4mm
Power Rating	1.36 W
Gearhead Type	Planetary
Length	46.7mm
Width	22mm
Current Rating	240 mA
Weight	59g



Operating relative humidity 20% ~ 85%
 Operating temperature range -10°C ~ +60°C

Ratio	L
4:1	14.4mm

Gearbox Housing material	Metal
Backlash at no-load	< 3°
Bearing at output	Sleeve bearings
Radial load (10mm from flange)	< 0.8 kgf
Shaft axial load	< 0.6 kgf
Shaft press fit force max	< 5 kgf
Radial play of shaft	< 0.08mm
Thrust play of shaft	< 0.2mm

Reduction Ratio	Rated tolerance Torque	Max momentary Tolerance Torque	Efficiency
1/4	1.0 kgf-cm Max.	3.0 kgf-cm	80%

Reduction Table RPM SUPPLY VOLTAGE	4.5v	6v	9v	12v
420-700	750	1000	1500	2000

Note: Motor speeds may vary by (+) or (-) 12.5%