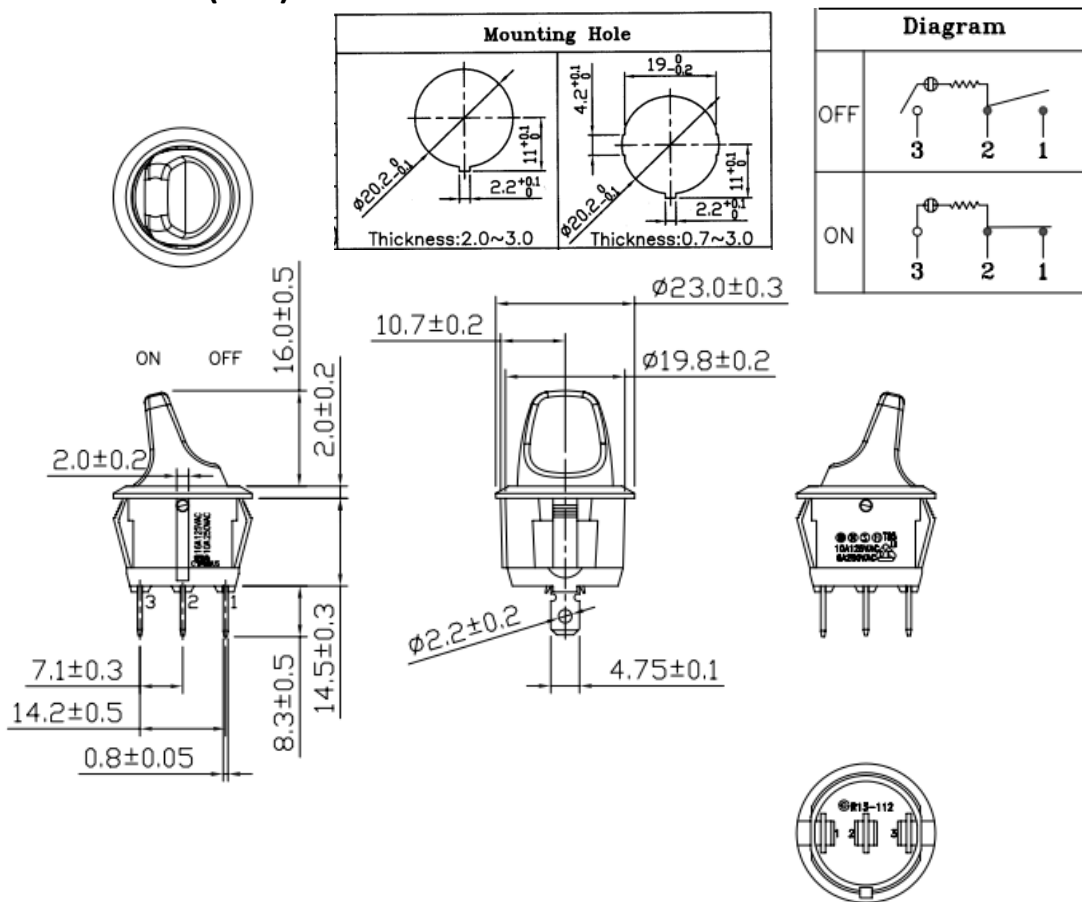


# Datasheet

## SPST Toggle Switch On-Off, 16 A@ 125 V ac, Panel Mount Illuminated

RS Stock number [419-849](#)

### Dimensions: (mm)



### Specifications

Rating: 16A 125VAC, 10A 250VAC

10A 28VDC, 6A 14VT

10 (4)A 250V~

Contact Resistance: 50m ohm max

Insulation Resistance: DC 500V 100M ohm min.

Dielectric Strength: AC 1500V 1 min

Operation Temperature: -20C ~ 85C

Switch Function: 3P SPST on-off (illuminated)