

Datasheet

## RS Pro Stainless Steel Toggle Latch, 10 x 13.5 x 4mm

RS Stock No: **726-4157**



### Product Details

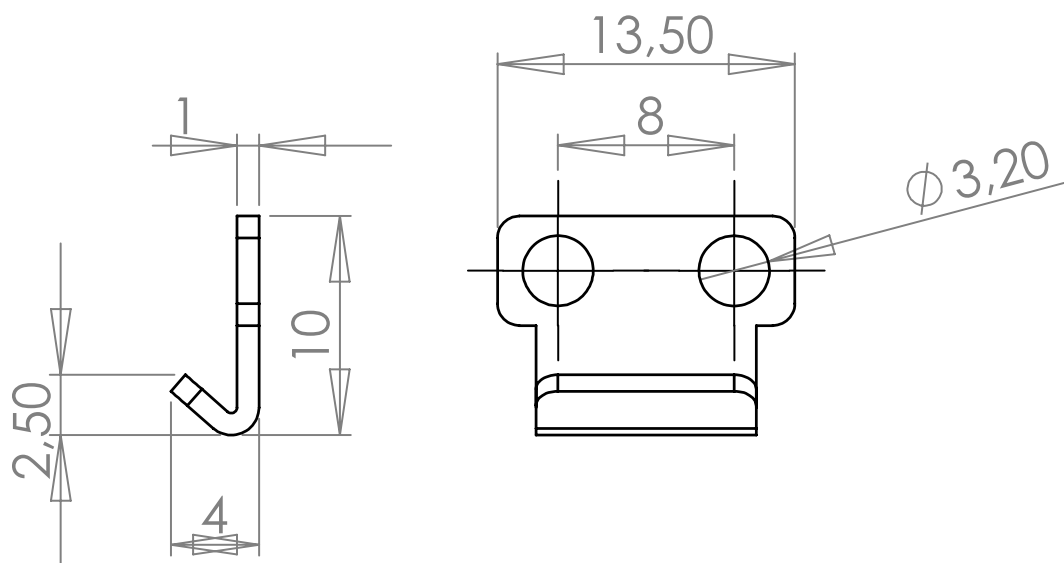
RS Pro toggle latch measuring 10 x 13.5 x 4 mm, is made from stainless steel.

### Features and Benefits

- Spring latch with excellent anti-corrosion properties
- Latch to catch distance of 12 mm
- Dimensions: 10 x 13.5 x 4 mm

**Specifications:**

Depth	4 mm
Dimensions	10 x 13.5 x 4 mm
Length	10 mm
Material	Stainless Steel
Width	13.5 mm



7264157 : S Steel