

**Datasheet**

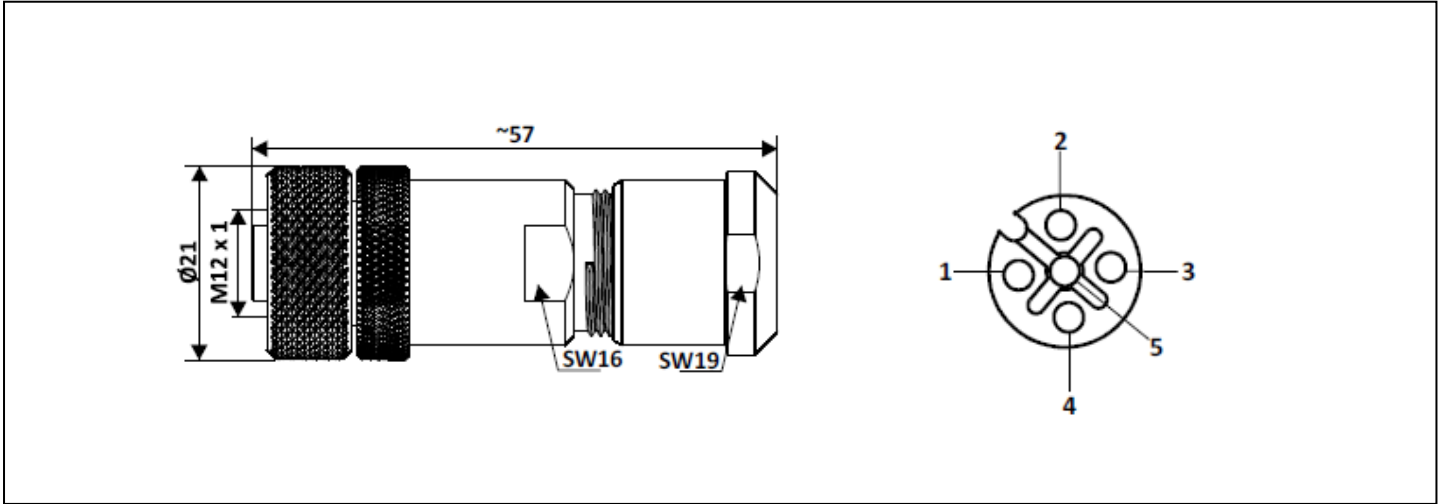
# RS PRO M12 Female Straight 5 Pin Screw Type Connector

Part No: 2017150

**Technical Specifications:**

Rated Operational Voltage	60 V
Current Rating	4 A
Insulation Resistance	≥100 MΩ
Temperature Range	-25° ... +75°C
Coding	A-Coded
Degree of Protection	IP67
Housing Material	Brass Nickel-plated
Contact	Cu-Zn
Contact Plating	Nickel-plated
Contact Carrier	Nylon 66
O-ring	Neoprene
Coupling Nut	Brass Nickel-Plated
Housing Colour	Silver

Termination	Screw Type (1 Sqmm Max.)
Pole	5
Cable Diameter	3.5 - 6 mm (PG7)



### Quality Standard: IEC 61076-2-101

  
**TÜVRheinland**  
 CERTIFIED

Type Approved  
 Safety  
 Regular Production  
 Surveillance

www.tuv.com  
 ID 1111210483





# Assembly Instruction

