
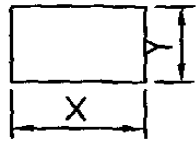
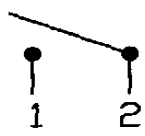
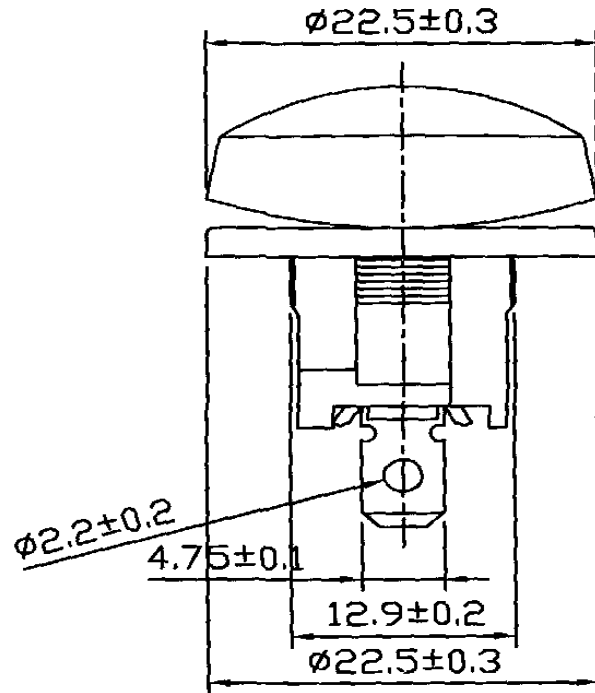
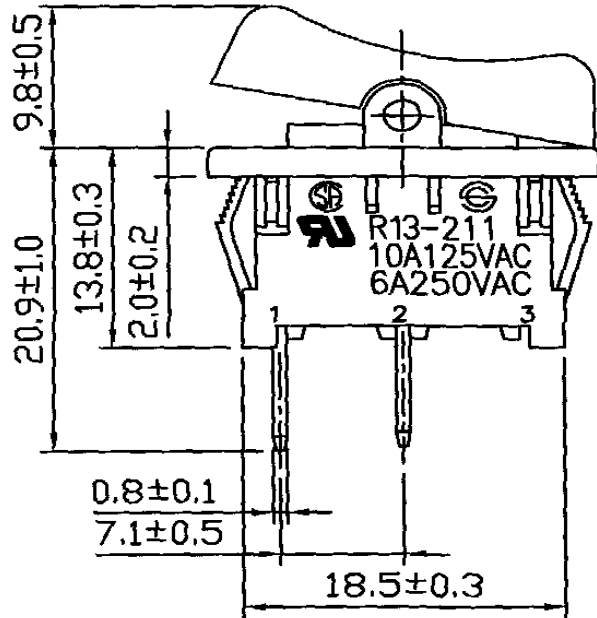
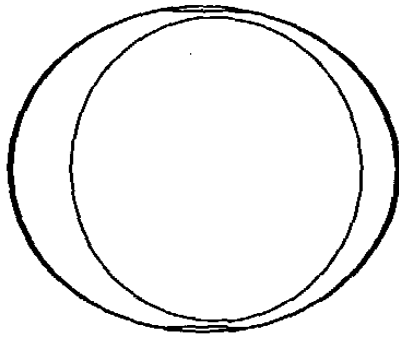



Rating	10A 125V, 6A 250V AC 	Mount Hole	Circuit Structure	
Contact R	50m ohm Max.			
Insulation R	DC 500V 100M ohm Min.			
Dielectric Strength	AC 1500V 1 minute			
Circuit	2P SPST ON-OFF			
		Thickness	X	Y
		0.75...1.25	19.2-0.1	13+0.1
		1.25...2.0	19.4-0.1	13+0.1
		2.0...3.0	19.8-0.1	13+0.1



C3\WDRK14\R13-211A

△	Date	Name	Descriptions			
Drawing	Check	Approval	SCI No.		Model Name	ROCKER SWITCH
張曉斌	<i>張曉斌</i>	<i>張曉斌</i>	Customer No.		Model No.	R13-211A-02
11/21/02	11/21/02	11/21/02	Unit	mm	 SHIN CHIN INDUSTRIAL CO., LTD.	