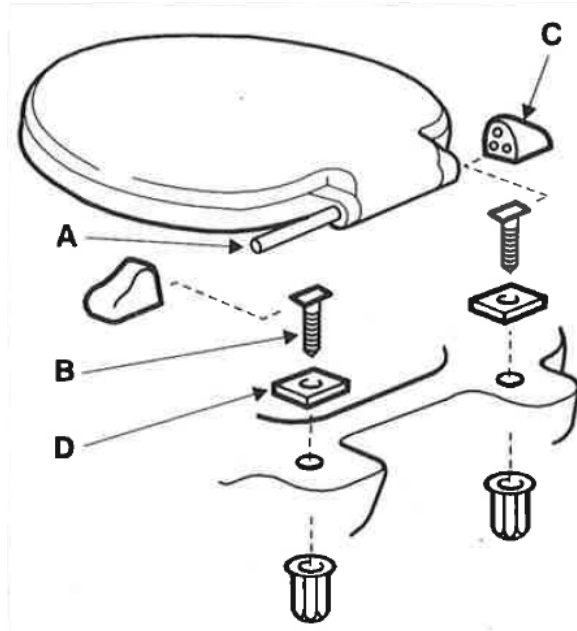




Plastic Toilet Seat Hinges – Fitting Instructions



- 1) Insert rod **A** through seat and lid.
- 2) Slide head of bolts **B** into slots of hinge blocks **C**.
- 3) Slide hinge blocks onto rod and ensure that the flat surface faces lid. Pass oblong gasket **D** over bolts.
- 4) Position onto pan with bolts through holes. Finger tighten nuts onto bolts.
- 5) Check for correct fitting and tighten.
- 6) Alternative slots may be used to adjust vertical lid position.