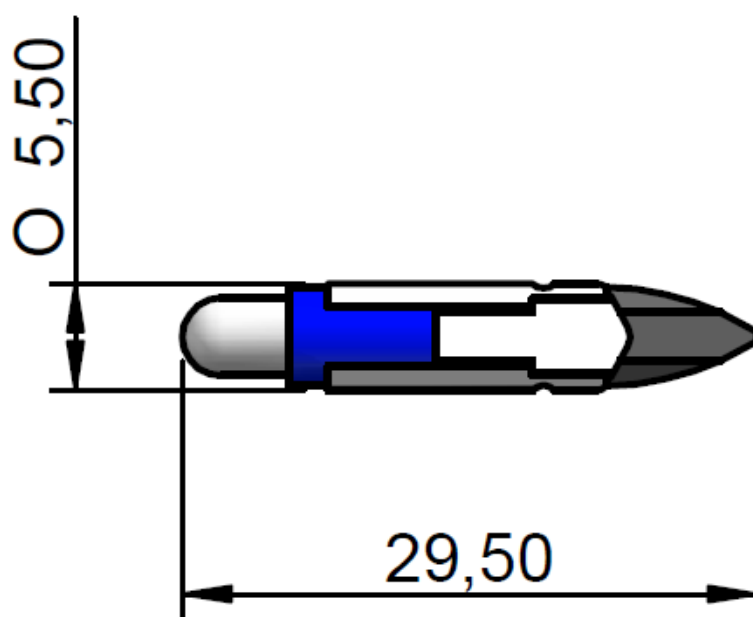


Datasheet

Telephone Slide LED Indicator Lamp

RS Stock number 204-237

Dimensions (mm):



Specifications:

LED/Multiled	LED
Mounting Size	-
Mounting Finish	-
Protection	-
Mount Holder	T5.5 SlideBase
Chip Qty	1
Indicator Colour	Blue
Optimum Voltage (V)	24V dc
Rectifier	-

AC Current	-
DC Current	15mA
Voltage Tolerance	10%
Optimum Temperature	-30°C ... +60°C
Storage Temperature	-30°C...+60°C
Contact Tab	T5.5 Slide bar
Wavelength (nm)	470
Intensity	900mcd