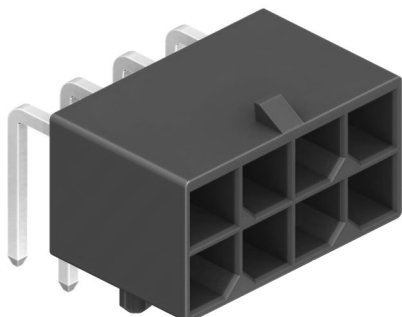


# Pin Headers

## 5.7mm, R/A, Double Row

**multicomp** PRO

**RoHS  
Compliant**



### Features and Advantages

- Power-dense design with high-current terminals, tight pitch and row spacing  
Provides more power than other mid-range power products in the industry
- Positive locking housing  
Ensures strong retention when receptacle and header are mated. Delivers an audible click to provide feedback that connector is fully mated
- Fully isolated header pins and receptacle terminals  
Protects against potential damage during handling and mating

### Specifications

Current Rating	: 12 to 21A AC/DC
Voltage Rating	: 600V AC/DC
Contact Resistance	: 30mΩ Max.
Insulation Resistance	: 1000MΩ Min.
Withstand Voltage	: 600V AC /minute
Operating Temperature	: -40°C to +105°C

### Materials

Insulator	: LCP (UL94V-0)
Colour	: Black
Contact	: High Performance Alloy
Plating	: Gold or Matte Tin or Selective Gold Plated

### Application

#### Home Appliance

Washers and Dryers  
Heaters and Air Conditioners

#### Telecommunication/Networking

Hubs and Servers  
Power Supplies and Distribution

#### Industrial

Machinery and Heavy Equipment  
Lighting and Automation

#### Commercial Vehicle

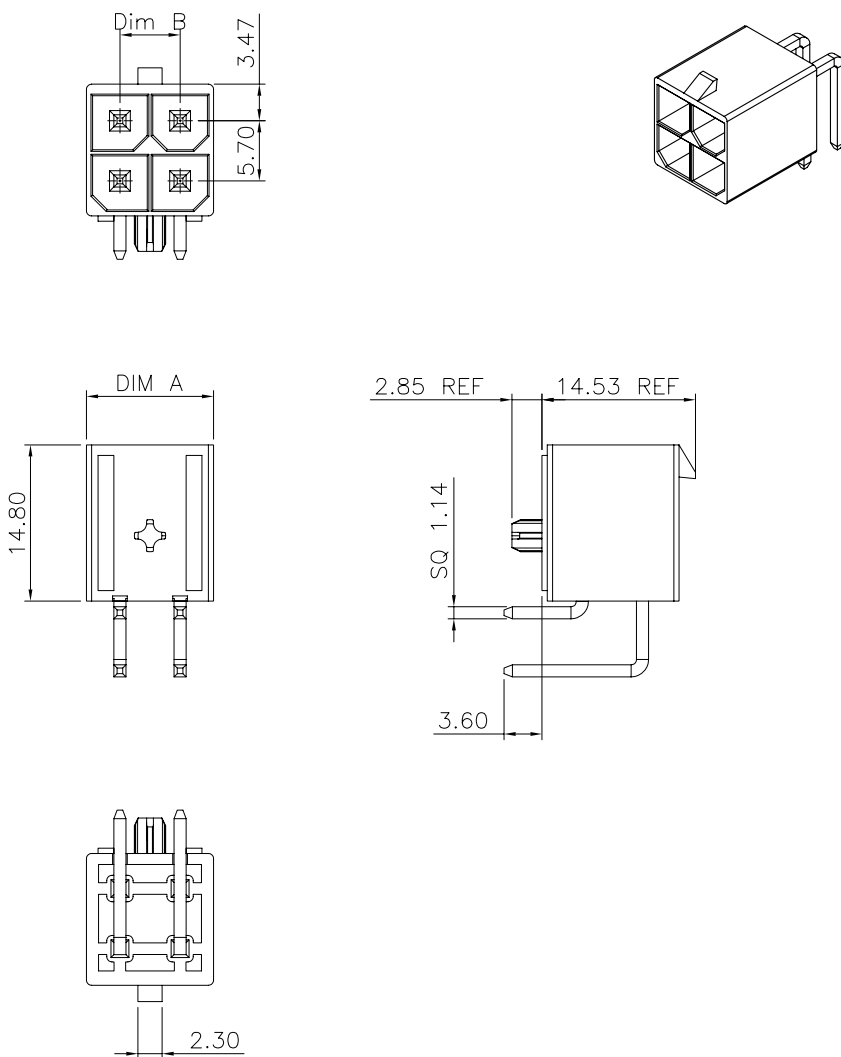
Unsealed Electronic Control Modules  
Power Converters

# Pin Headers

## 5.7mm, R/A, Double Row

**multicomp** PRO

### Diagram



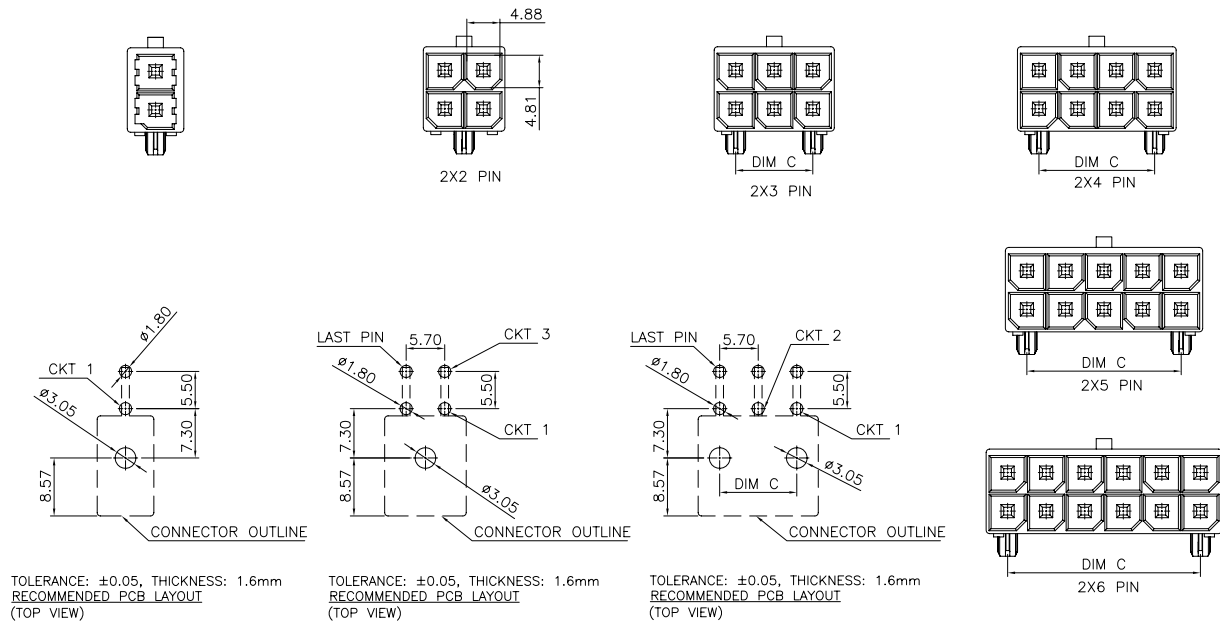
PIN No.	Dimensions		
	A	B	C
2×1	8.35	--	--
2×2	12.05	5.7	--
2×3	17.75	11.4	11.4
2×4	23.45	17.1	17.1
2×5	29.15	22.8	22.8
2×6	34.85	28.5	28.5

Dimensions : Millimetres

# Pin Headers

## 5.7mm, R/A, Double Row

**multicomp** PRO



### Part Number Table

Description	Part Number
Pin Header, 5.7mm, WTB, R/A, Double Row, 2 Way	MP010362
Pin Header, 5.7mm, WTB, R/A, Double Row, 4 Way	MP010363
Pin Header, 5.7mm, WTB, R/A, Double Row, 6 Way	MP010364
Pin Header, 5.7mm, WTB, R/A, Double Row, 8 Way	MP010365
Pin Header, 5.7mm, WTB, R/A, Double Row, 10 Way	MP010366
Pin Header, 5.7mm, WTB, R/A, Double Row, 12 Way	MP010367

**Important Notice :** This data sheet and its contents (the "Information") belong to the members of the AVNET group of companies (the "Group") or are licensed to it. No licence is granted for the use of it other than for information purposes in connection with the products to which it relates. No licence of any intellectual property rights is granted. The Information is subject to change without notice and replaces all data sheets previously supplied. The Information supplied is believed to be accurate but the Group assumes no responsibility for its accuracy or completeness, any error in or omission from it or for any use made of it. Users of this data sheet should check for themselves the Information and the suitability of the products for their purpose and not make any assumptions based on information included or omitted. Liability for loss or damage resulting from any reliance on the Information or use of it (including liability resulting from negligence or where the Group was aware of the possibility of such loss or damage arising) is excluded. This will not operate to limit or restrict the Group's liability for death or personal injury resulting from its negligence. Multicomp Pro is the registered trademark of Premier Farnell Limited 2019.

Newark.com/multicomp-pro  
Farnell.com/multicomp-pro  
sg.element14.com/b/multicomp-pro

**multicomp** PRO