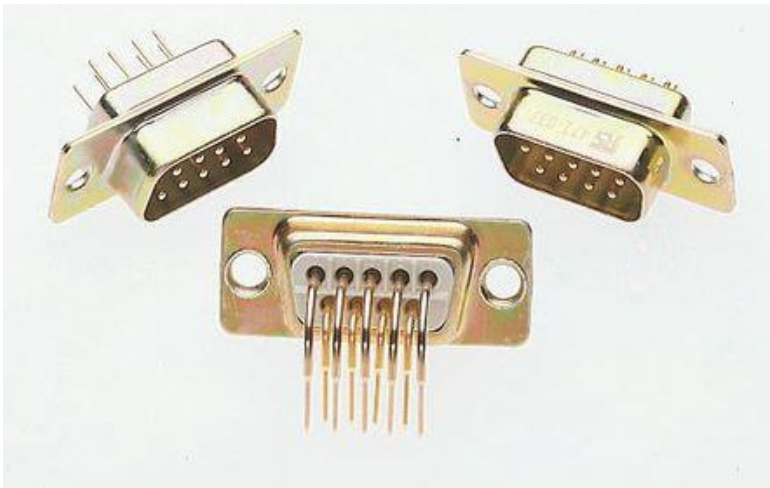


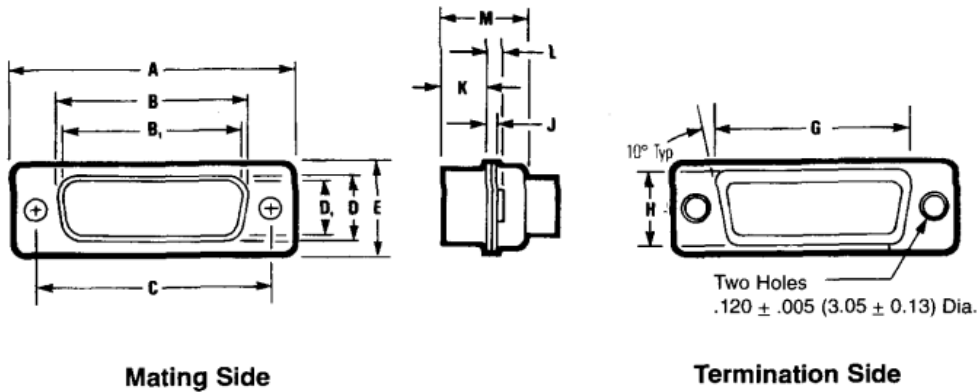
Datasheet

25 Way Right Angle Through Hole Mount PCB D-sub Connector

RS Stock 470-881



Dimensions: (mm)



Shell Size	Connector Positions	Connector Type	A±.015" (0.38mm)		B±.010" (0.25mm)		B ₁ ±.005" (0.13 mm)		C±.005" (0.13mm)		D±.010" (0.25mm)		D ₁ ±.010" (0.25mm)		E±.010" (0.25mm)	
			in	mm	in	mm	in	mm	in	mm	in	mm	in	mm	in	mm
E	9	Plug	1.213	30.81	--	--	.666	16.90	0.984	24.99	--	--	.329	8.40	.494	12.55
		Socket	1.213	30.81	.640	16.26	--	--	0.984	24.99	.308	7.82	--	--	.494	12.55
A	15	Plug	1.541	39.14	--	--	.994	25.30	1.312	33.32	--	--	.329	8.40	.494	12.55
		Socket	1.541	39.14	.968	24.59	--	--	1.312	33.32	.308	-7.82	--	--	.494	12.55
B	25	Plug	2.088	53.04	--	--	1.534	39.00	1.852	47.04	--	--	.329	8.40	.494	12.55
		Socket	2.088	53.04	1.508	38.30	--	--	1.852	47.04	.308	7.82	--	--	.494	12.55
C	37	Plug	2.729	69.32	--	--	2.182	55.40	2.500	63.50	--	--	.329	8.40	.494	12.55
		Socket	2.729	69.32	2.156	54.76	--	--	2.500	63.50	.308	7.82	--	--	.494	12.55
D	50	Plug	2.635	66.93	--	--	2.079	52.80	2.406	61.11	--	--	.436	8.40	.605	15.37
		Socket	2.635	66.93	2.062	52.34	--	--	2.406	61.11	.420	7.82	--	--	.605	15.37

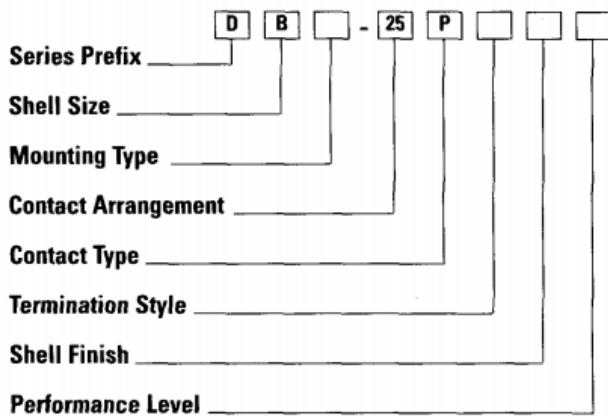


Features

- Standards RS232 interface
- Bright tin finish & grounding indents available for EMI/RFI shielding
- Meets Dimensional requirements of MIL-C-24308, BS9523, F0018 & DIN 41652
- UL 94V-0 rated insulators
- Compatible with all other D sub-miniatures

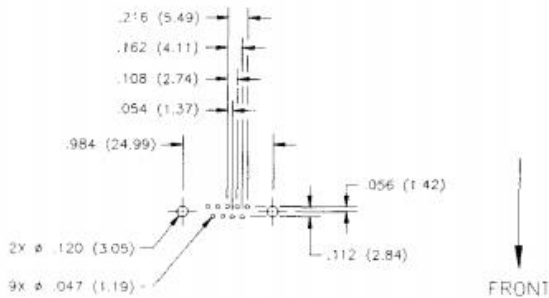
Technical Data

Termination Options	Solder Bucket, Flow Solder Straight & 90° Wire ware	Proof Voltage	2.5 Kv d.c. or a.c. peak
Number of Contacts	9 15 25 37 50	Working Voltage	750V d.c. or a.c. peak
Maximum Insertion & Extraction Force	30 50 83 123 167N	Contact Resistance	$5 \times 10^{-3} \Omega$ max
Performance Level	1, 2 or 3	Insulation Resistance	$\geq 5 \times 10^9 \Omega$
Wire Accommodation	$\leq 0.5 \text{ mm}^2$ (20AWG)	Temperature Range	-55° to +125°C
Plug Contact Material	Copper Alloy	Insulator Materials	GF Polyester. UL 94V-0 Rated
Socket Contact Material	Copper Alloy	Shell Materials	Steel - Zinc plated with yellow chromate passivation include bright tin finish
Current rating	5A		

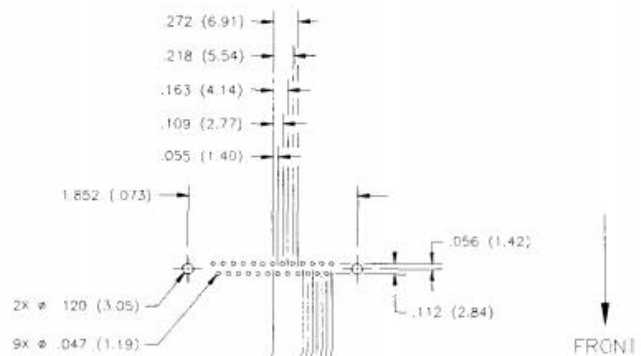


- Series Prefix** D
Shell Size E, A, B, C or D
Mounting Type B -4-40 rivnut for rear panel mounting
P -M3 rivnut for rear panel mounting
D -with female screw locks fitted
E -4-40 clinch-out for rear panel mounting with locking feature for high vibration applications
F -Float mount for rear panel mounting
Y -Universal float mount
No designation - \varnothing 3.05 mm mounting hole
90° Flow Solder versions are not available with float mounts
- Contact Arrangement** 9, 15, 25, 37 or 50
Contact Type P or S
Termination Style 90° Flow Solder European Footprint
- 1A0N** -without brackets
1A1N -with plastic brackets
1A2N -with plastic brackets and keeper moulding
1A3N -with metal mounting brackets*
1AEN -with earthing straps on plastic brackets with keeper moulding*
1ASN -with boardlock, earthing straps, plastic bracket and keeper moulding*
- For reverse orientation of contacts relative to shell, replace N with R**
*Please specify rivnuts or screw locks, mounting type B, P, or D (Rivnuts standard)
- Straight Flow Solder** OL2 -Termination 0.6mm, 5.3mm Long
BL2 -As OL2 with vertical Board locks 4/40 threads
Solder Bucket F179A -0.61mm square section pins for up to 3 wraps
Mini Wire Wrap No designation required
Shell Finish T -Bright tin
TI -Bright tin with grounding indents (plugs only)
No designation -Zinc plated with yellow chromate passivation.
- Performance Level** 2 -DIN Class 2
1 -Exceeds DIN Class 2
No designation -Performance level 3

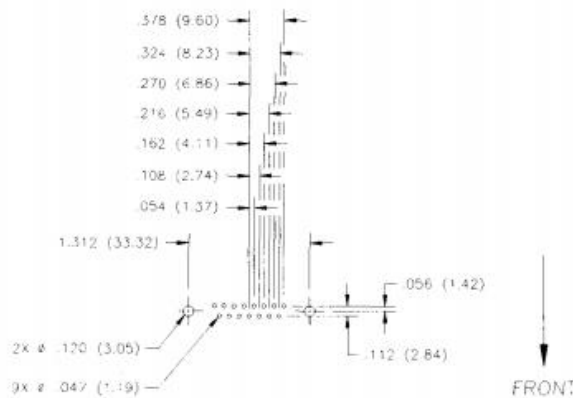
**Standard Density D-subminiature
Mounting Dimensions Board Layouts
Footprints (Component side shown)**



**9 Position
Shell Size E**



**25 Position
Shell Size B**



**15 Position
Shell Size A**

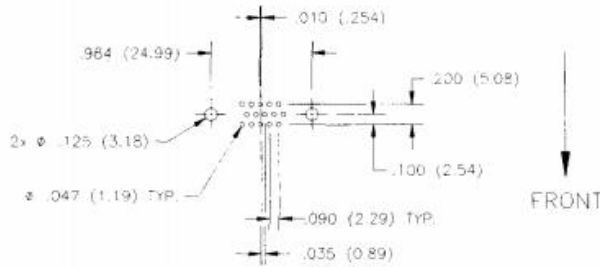
The footprints on this page are standard for all metal shell D-subminiature connectors.

On all right-angle D-subminiature connectors, the short row of contacts is positioned closest to the edge of the board.

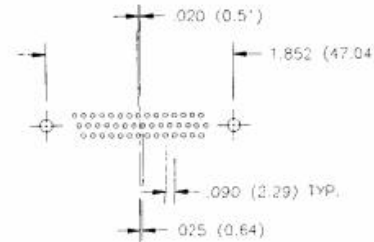
PC Board Lead Hole Size

Terminal Dia.		Hole Dia.	
in	mm	in	mm
.040	1.02	.055	1.40
.030	0.76	.045	1.14
.024-.025	0.61-0.64	.039	0.99

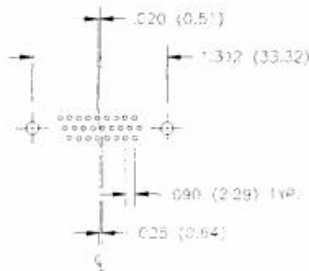
**1.5 Density D-subminiature
Recommended PCB Layout for
Footprint (Component side shown)**



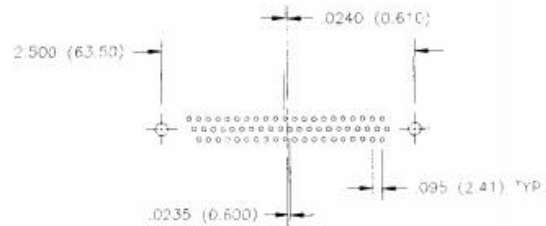
15 Position - Shell Size E



44 Position - Shell Size B



26 Position - Shell Size A



62 Position - Shell Size C

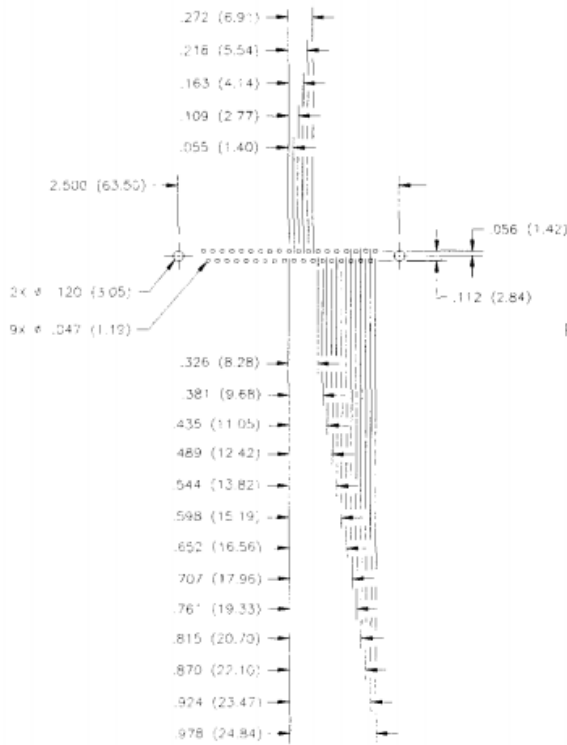
The footprints on this page are standard for all metal shell D-subminiature connectors.

On all right-angle D-subminiature connectors, the short row of contacts is positioned closest to the edge of the board.

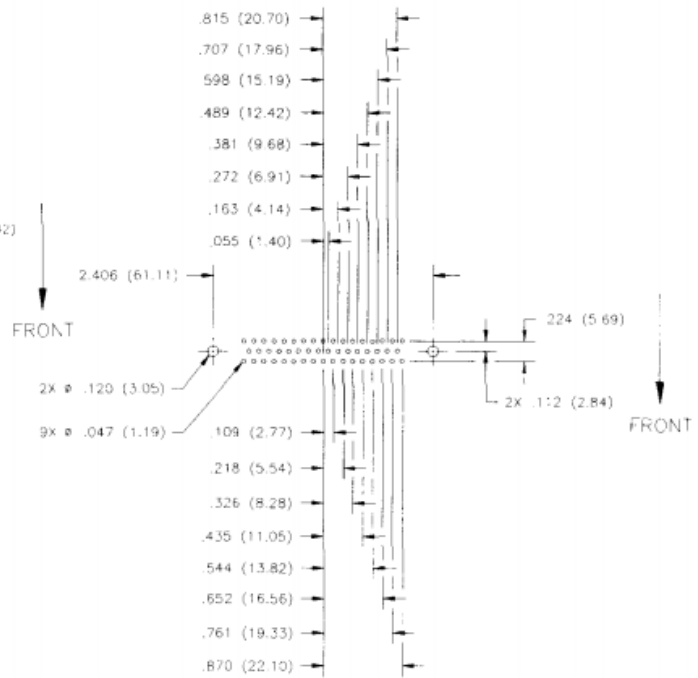
PC Board Lead Hole Size

Terminal Dia.		Hole Dia.	
in	mm	in	mm
.040	1.02	.055	1.40
.030	0.76	.045	1.14
.024-.025	0.61-0.64	.039	0.99

**Standard Density D-subminiature
Mounting Dimensions Board Layouts
Footprints (Component side shown)**



**37 Position
Shell Size C**



**50 Position
Shell Size D**

The footprints on this page are standard for all metal shell D-subminiature connectors.

On all right-angle D-subminiature connectors, the short row of contacts is positioned closest to the edge of the board.

PC Board Lead Hole Size

Terminal Dia.		Hole Dia.	
in	mm	in	mm
.040	1.02	.055	1.40
.030	0.76	.045	1.14
.024-.025	0.61-0.64	.039	0.99