

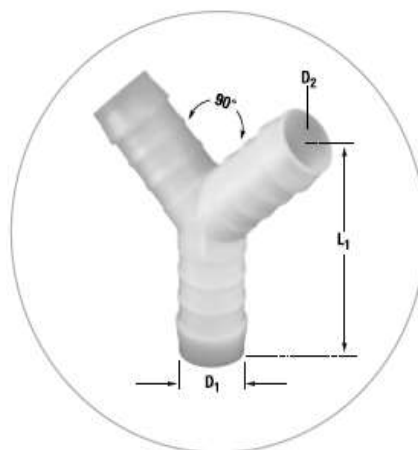
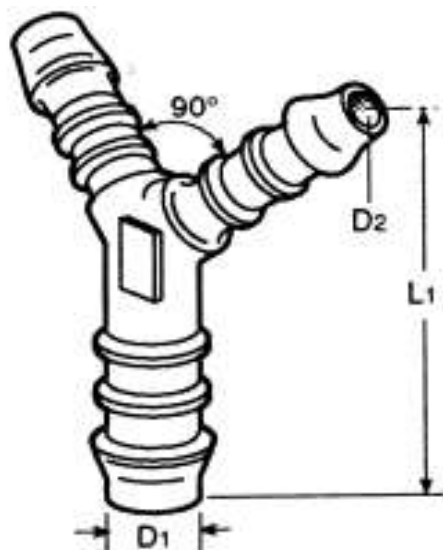


Datasheet

Y Male Y Coupler, POM

ENGLISH

RS Stock number 4197265



Features

Equal Y Connector

These hose connectors can be fitted quickly and simply by pushing the hose directly onto the connecting parts. The ribbing of the end connectors enables the hose to sit securely.

Push-on Connectors

Acetal Resin, non-toxic, tough, lightweight, good impact and wear resistance

Deep moulded ribs, use hose clips for high pressure, positive sealing

D1	D2	L1
4	2.5	25.5

Unit:mm

D1: Joiner Outer Diameter

D2: Joiner Inner Diameter

L1: Length

*Joiner Outer Diameter = Hose Inner Diameter