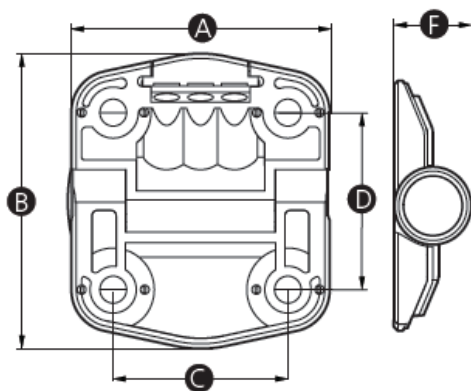


Datasheet

RS Pro Free Swinging or Detent Plastic Hinge with Caps

RS Stock No: 124-1906



Material

High impact resistant thermoplastic

Finish

Matt

Colour

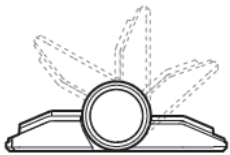
Black

Function

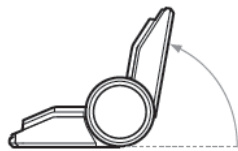
Select one of the available detent options to allow doors to be held open at a predetermined opening angle. Secure, snap-on caps fully conceal mounting screws.

| Part No. | A | B | C | D | E | F | Hole size | Detent | Detent angle |
|----------|----|----|----|----|---|----|-----------|--------|--------------|
| 1241906 | 51 | 57 | 34 | 34 | - | 18 | 5.2 | None | - |
| 1241907 | 51 | 57 | 34 | 34 | - | 18 | 5.2 | Yes | 80 |
| 1241908 | 51 | 57 | 34 | 34 | - | 18 | 5.2 | Yes | 115 |
| 1241909 | 51 | 57 | 34 | 34 | - | 18 | 5.2 | Yes | 150 |

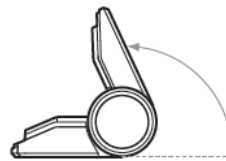
| Part No. | Hinge positioning torque (Nm) | Screw | Radial load (N) | Axial load (N) | Recommended tightening torque (Nm) | Approx. shear force per screw (kN) |
|----------|-------------------------------|-------|-----------------|----------------|------------------------------------|------------------------------------|
| 1241906 | - | M5 | 450 | 450 | 1.5 | 0.28 |
| 1241907 | 1.2 | M5 | 450 | 450 | 1.5 | 0.28 |
| 1241908 | 1.2 | M5 | 450 | 450 | 1.5 | 0.28 |
| 1241909 | 1.2 | M5 | 450 | 450 | 1.5 | 0.28 |



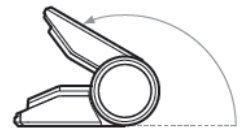
No detent / Free swinging



80°



115°



150°