

## FEATURES

- Precise temperature control
- Compact geometric sizes and lightweight
- Reliable solid state operation
- No sound or vibration
- Environmentally friendly
- DC operation
- RoHS REACH Compliant

## RS PRO Peltier Module

RS Stock No.: 2172415



RS Professionally Approved Products bring to you professional quality parts across all product categories. Our product range has been tested by engineers and provides a comparable quality to the leading brands without paying a premium price.

**Product Description**

This Peltier module is suitable for the higher current and larger cooling requirements. Typical application includes experimental, scientific and biomedical instruments, laboratory equipment, industry and electrical equipment and consumables.

**Performance Parameters**

<b>Hot Side Temperature (°C)</b>	<b>25°C</b>	<b>50°C</b>
<i>Q<sub>max</sub> (watts):</i>	10.6	11.5
<i>Δ T<sub>max</sub> (°C):</i>	67	74
<i>I<sub>max</sub> (amps):</i>	2.5	2.5
<i>V<sub>max</sub> (vdc):</i>	7.62	8.1
<i>AC Resistance (ohms):</i>	2.67	3.01

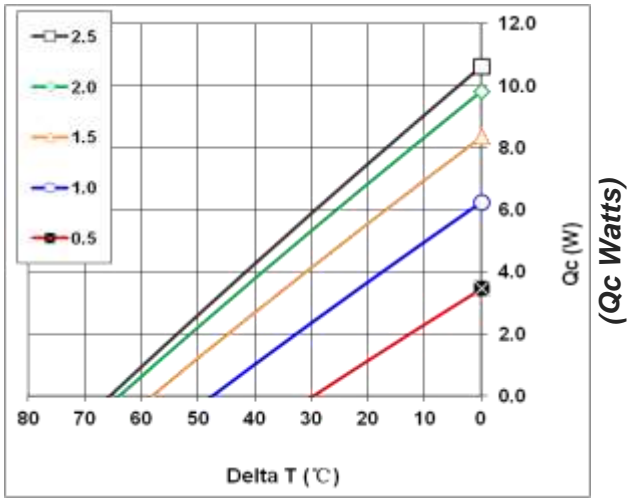
*\*\*Tolerances for thermal and electrical parameters are ± 10%.*

**Manufacturing Specifications**

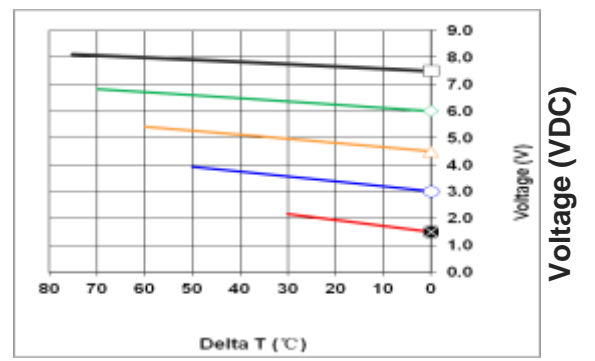
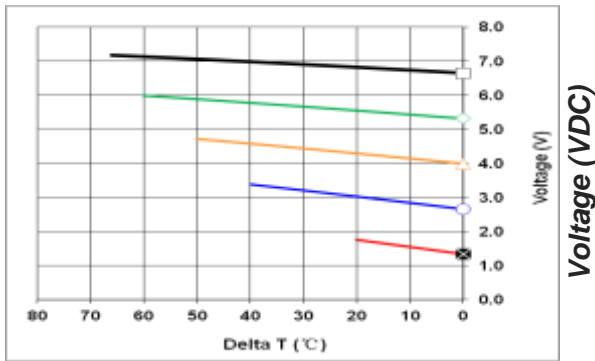
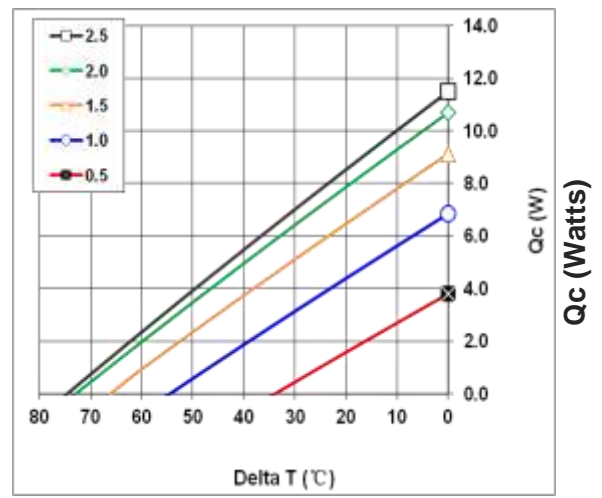
**Performance Curves**

<b>Joint Cover</b>	RTV Silicone (White)
<b>Substrate</b>	Blank Ceramics (96% Al <sub>2</sub> O <sub>3</sub> )
<b>Plating</b>	N/A
<b>Joint Cover</b>	RTV Silicone (White)
<b>Lead Wires</b>	24AWG PVC Stranded
<b>Lead Wire Length</b>	150mm±5mm
<b>Solder Construction</b>	138°C, Bismuth Tin (BiSn)
<b>Module Size (mm)</b>	15±0.1, 30±0.1, 30±0.1, 4.0±0.05
<b>Flatness/Parallelism</b>	0.05 mm / 0.05 mm
<b>Marking</b>	P/N & S/N printed on cold side surface

Hot Side Temperature 25°C



Hot Side Temperature 50°C



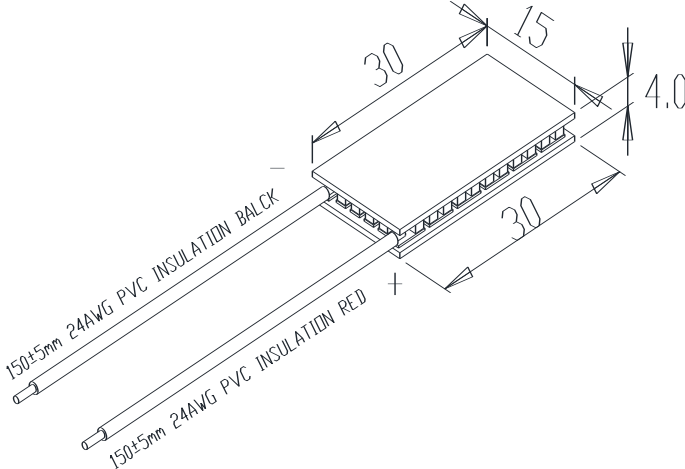
Delta T (°C)

Delta T (°C)

Operation Cautions

- For maximum reliability, storage and operation below 90°C/194°F in a non-condensing environment is recommended.
- Do not exceed I<sub>max</sub> or V<sub>max</sub> when operating module.

Mechanical Drawing



\*\*All units are in millimeters unless otherwise stated.

**Additional Information**

**EAN**

**Custom Tariff Number** 85415000