

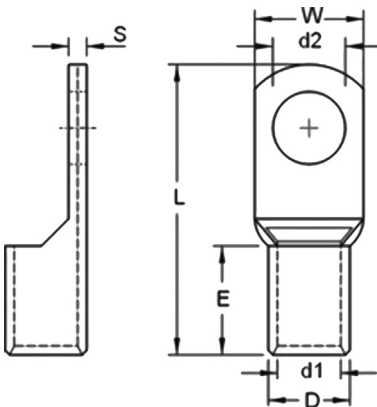
# Non-Insulated Copper Tubular Lugs



Maximum Electric Current:

A.W.G.	16	14	12	10	8	6	4	2	1/0	2/0	3/0	4/0	250	300	350	400	500	600	750	800	1000	1250
AMP.	18	30	35	50	70	95	125	170	230	265	310	360	405	445	505	545	620	690	785	815	935	1065

Terminal Material: Copper



## Part Number Table

Description	Wire Range A.W.G. mm <sup>2</sup>	Stud Size		Dimension (mm)						Q'ty Box	Part No.
		d2	W	d1	D	L	E	S			
Non-Insulated Copper Tubular Lugs	12-10 A.W.G. 4-6 mm <sup>2</sup>	#10	5.3	10	3.8	5.500	25.5	-	-	500	MC000772
		1/4	6.5	10	3.8	5.500	25.5	-	-	500	MC000773
	8 A.W.G. 10 mm <sup>2</sup>	1/4	6.5	12.6	4.5	6.200	27	10	1.1	500	MC000761
		5/16	8.4	12.6	4.5	6.200	27	10	1.1	500	MC000762
	6 A.W.G. 16 mm <sup>2</sup>	1/4	6.5	12.6	5.5	7.200	29.5	10.5	1.3	250	MC000763
		5/16	8.4	12.6	5.5	7.200	29.5	10.5	1.3	250	MC000764
	4 A.W.G. 25 mm <sup>2</sup>	1/4	6.5	15	7	9.000	33	12	1.65	200	MC000765
		5/16	8.4	15	7	9.000	33	12	1.65	200	MC000766
		3/8	10.5	15	7	9.000	33	12	1.65	200	MC000767

# Non-Insulated Copper Tubular Lugs

**multicomp** PRO

Description	Wire Range A.W.G. mm <sup>2</sup>	Stud Size		Dimension (mm)						Q'ty Box	Part No.
		d2	W	d1	D	L	E	S			
Non-Insulated Copper Tubular Lugs	2 A.W.G. 35 mm <sup>2</sup>	5/16	8.4	15.2	8.2	10.600	38	14.2	2.5	200	MC000768
		3/8	10.5	15.2	8.2	10.600	38	14.2	2.5	100	MC000769
	1/0 A.W.G. 50 mm <sup>2</sup>	5/16	8.4	18.5	10	13.000	44.5	18	2.9	100	MC000770
		3/8	10.5	18.5	10	13.000	44.5	18	2.9	100	MC000771
		1/2	13	18.5	10	13.000	44.5	18	2.9	100	MC000774

**Important Notice :** This data sheet and its contents (the "Information") belong to the members of the AVNET group of companies (the "Group") or are licensed to it. No licence is granted for the use of it other than for information purposes in connection with the products to which it relates. No licence of any intellectual property rights is granted. The Information is subject to change without notice and replaces all data sheets previously supplied. The Information supplied is believed to be accurate but the Group assumes no responsibility for its accuracy or completeness, any error in or omission from it or for any use made of it. Users of this data sheet should check for themselves the Information and the suitability of the products for their purpose and not make any assumptions based on information included or omitted. Liability for loss or damage resulting from any reliance on the Information or use of it (including liability resulting from negligence or where the Group was aware of the possibility of such loss or damage arising) is excluded. This will not operate to limit or restrict the Group's liability for death or personal injury resulting from its negligence. Multicomp Pro is the registered trademark of Premier Farnell Limited 2019.

Newark.com/multicomp-pro  
 Farnell.com/multicomp-pro  
 Element14.com/multicomp-pro

**multicomp** PRO